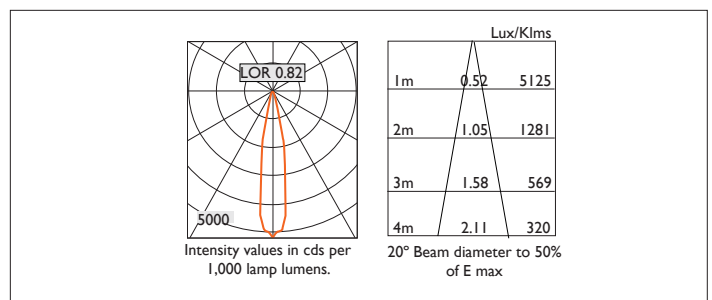
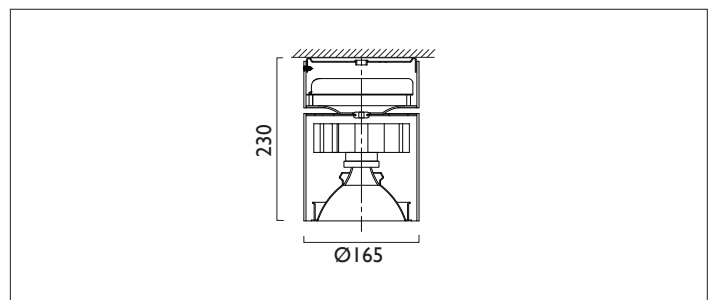




# CIVIC XI65

CIVIC XI65 Surface mounted downlighter with a choice of deep cone reflector finish and beam distribution and with black casing. Driver mounted integrally. Overall diameter 165mm. Height 230mm. Xicato LED



Product Number	C9521/*Engine
Lamp Type	Xicato XTM LED, Up to 2000 lumens
Reflector	Specular Silver
Beam Angle	20°
Construction	Aluminium / Steel
Finish	Black
IP	IP20
Control	Driver

Please Note: For lumen output/power, colour temperature and protocols and appropriate Light Engine should also be specified.

### \*Light Engine Specification

Xicato XTM 50,000 hours >Ra80

11A	1105 lm	7.2W	153 lm/w	350mA
14A	1490 lm	10.6W	141 lm/w	500mA
20A	2000 lm	15.2W	131 lm/w	700mA
30A	3000 lm	25.7W	117 lm/w	1050mA

2700K	2	<ul style="list-style-type: none"> <li>0 No Emergency</li> <li>E Maintained Emergency</li> </ul>
3000K	3	
3500K	4	
4000K	5	
		<ul style="list-style-type: none"> <li>0 Fixed Output</li> <li>1 I-10V</li> <li>3 DSI</li> <li>5 DALI</li> <li>7 Lead / Trailing</li> <li>9 Addressable</li> </ul>

EN 60598-1  
WEE/AE0290TY

