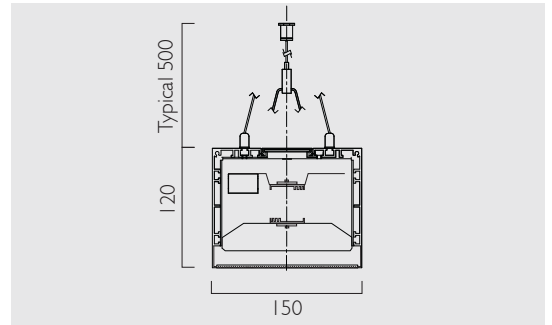
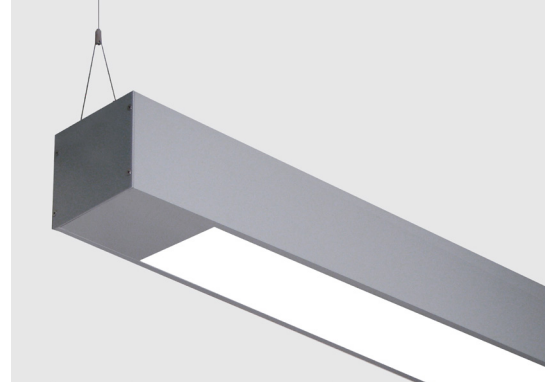


# BORDO LED 150

Bordo T150 is a highly efficient, bespoke, multi-functional linear lighting system, utilising the latest in LED technology. DAL has developed Bordo T150 with many of today's building services requirements in mind. It is flexible, enabling the integration of most occupier and safety sensors. Able to be supplied as individual modules or as a continuous system. Because Bordo 150 is a bespoke system, it will be necessary to discuss each project's specific requirements to ensure the correct specification.



	High Efficiency	High Output
Typical Luminous flux per 282mm board. @ tp = 65°C	630 lumens, 3000K, 650 lumens, 4000K	1140 lumens, 3000K 1190 lumens, 4000K
CRI (Ra)	>80	>80
Lifetime	50,000	50,000
Operating temp:	tp = 25°C to 65°C	tp = 25°C to 65°C
IP rating:	IP20	IP20
Finish:	White (RAL 9010)	White (RAL 9010)
Cover / Lens:	Opal	Opal
Mounting:	Surface / Pendant	Surface / Pendant
Control:	Non dimmable or dimmable	Non dimmable or dimmable

Product No	Length	Colour Temp (Kelvin)	Typical Output (Lumens)
L4000 Series	Various	3000K	see above
L4100 Series	Various	4000K	see above

LEDs (Light-emitting diodes) generate light using the special electronic properties of crystalline semiconductors and solid state technology. As well as being free of ultraviolet radiation, LEDs have very low infrared radiation in the beam.

Advantages of LEDs Include:  
 Long life resulting in low maintenance costs  
 Cool beams of light  
 No ultraviolet  
 Low infrared  
 Mercury free / Lead free  
 Low energy

High luminous efficacy (lm/w)  
 Colour stability  
 Instant light  
 High performance  
 Precise optical control  
 Emergency options  
 Dimmable

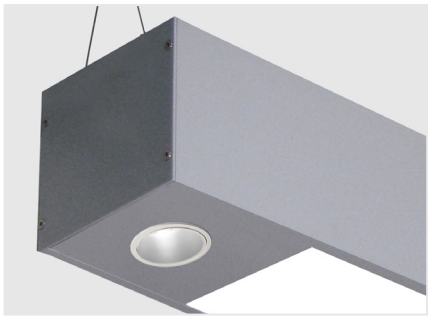
# LUMINAIRE DETAIL



High quality LED boards, 3000K / 4000K CRI >Ra80.

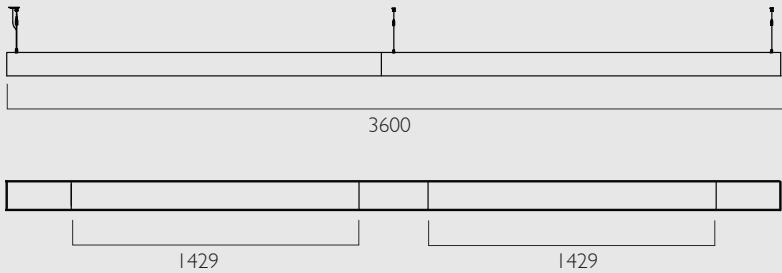


Integrated infill panels allow for ease of installation and design flexibility and can incorporate presence detectors, daylight sensors, smoke detectors and speakers.



Additional downlighters or spotlights can also be incorporated. The standard finish is metallic silver RAL 9006.

# EXAMPLE RUNS



Please note: Infill panels are normally of equal length

