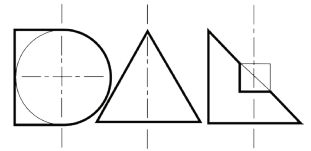


# MINITRIM X86 DIRECTIONAL

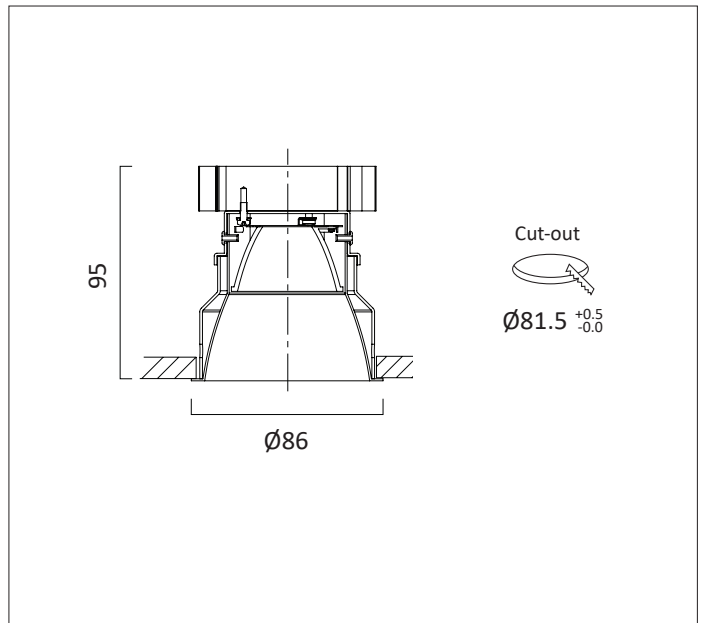


MINITRIM X86 DIRECTIONAL Round recessed downlighter with no separate ceiling trim and a choice of deep cone reflector finish and beam distribution. The high-quality precision light controller with lens plus deep deep cone aluminium reflector gives visual comfort. The MINITRIM X86 is easy to install and incorporates the latest, high efficiency LED technology. Colour consistency through life is ensured by state-of-the-art components and passive cooling aluminium heat sinks.

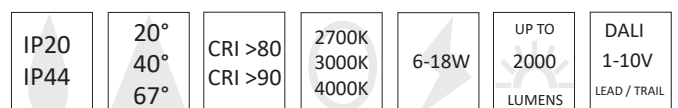
Standard colour temperatures: 2700K, 3000K, 4000K, colour rendering Ra >80 2 step Macadam are all available.

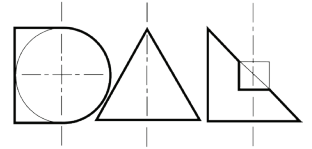
Life 50000 hours. A choice of drivers provide fixed supply or dimming to project requirements. IP20 or IP44 durable, high specification diecast construction, colour powder coat finish provides longevity.

Built to conform to the requirements of BS EN 60598-1 and IEC 598. The MINITRIM X86 spring mechanism makes installation easy. Photometrically tested to LM-79-08 confirms MINITRIMs high performance.



	Specular Silver	Satin Silver	Black	White	Gold
<b>IP20</b>					
20°	C1321	C1322	C1323	C1324	C1325
40°	C1341	C1342	C1343	C1344	C1345
60°	C1361	C1362	C1363	C1364	C1365
<b>IP44</b>					
20°	C1421	C1422	C1423	C1424	C1425
40°	C1441	C1442	C1443	C1444	C1445
67°	C1461	C1462	C1463	C1464	C1465





9mm LIGHT ENGINE for 20° beam

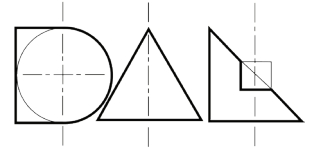
Engine Order Code	Output (Lumens)	CCT	CRI	Pd (W)	Vf forward typical	Current
10A2	1000	2700K	>80	10.9W	21.7	500 mA
13A2	1300	2700K	>80	15.6W	22.3	700 mA
15F2	1500	2700K	>80	19.5W	27.9	700 mA
20F2	2000	2700K	>80	30.2W	28.8	1050 mA
10A3	1000	3000K	>80	10.9W	21.7	500 mA
13A3	1300	3000K	>80	15.6W	22.3	700 mA
15A3	1500	3000K	>80	19.5W	27.9	700 mA
20A3	2000	3000K	>80	30.2W	28.8	1050 mA
10A5	1000	4000K	>80	10.9W	21.7	500 mA
13A5	1300	4000K	>80	15.6W	22.3	700 mA
15A5	1500	4000K	>80	19.5W	27.9	700 mA
20A5	2000	4000K	>80	30.2W	28.8	1050 mA

19mm LIGHT ENGINE for 40° and 60° beam

Engine Order Code	Output (Lumens)	CCT	CRI	Pd (W)	Vf forward typical	Current
10A2	1000	2700K	>80	6.6W	13.2	500 mA
13A2	1300	2700K	>80	9.5W	13.6	700 mA
15F2	1500	2700K	>80	10.6W	21.1	500 mA
20F2	2000	2700K	>80	15.2W	21.7	700 mA
10A3	1000	3000K	>80	6.6W	13.2	500 mA
13A3	1300	3000K	>80	9.5W	13.6	700 mA
15A3	1500	3000K	>80	10.6W	21.1	500 mA
20A3	2000	3000K	>80	15.2W	21.7	700 mA
10A5	1000	4000K	>80	6.6W	13.2	500 mA
13A5	1300	4000K	>80	9.5W	13.6	700 mA
15A5	1500	4000K	>80	10.6W	21.1	500 mA
20A5	2000	4000K	>80	15.2W	21.7	700 mA

Tolerance range for optical and electrical data: ±10 %.

# DRIVERS & EMERGENCY



Driver Order Code	Lumens	Make	Type	Max Output	Voltage Range	Dimming Range	Current Range	DAL Part No
0	FIXED							
1	1-10V							
3	DSI							
5	DALI							
7	LEAD / TRAIL							

Emergency Order Code	Description	Output (Lumens)	Emergency Operation (Lumens)	DAL Part No
E	3 hour maintained emergency pack			
9E	with DALI Addressable with full error feed back			