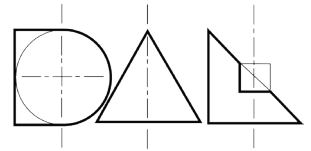
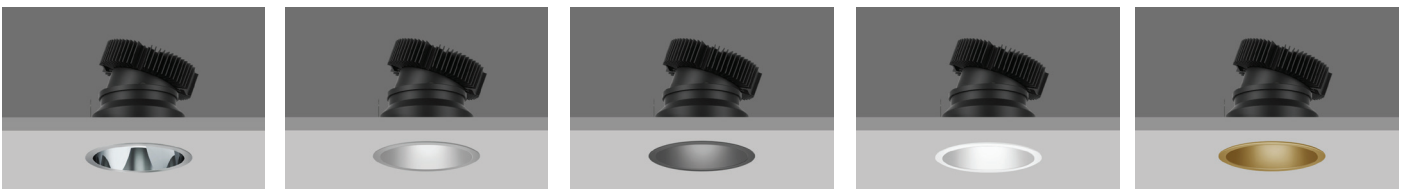
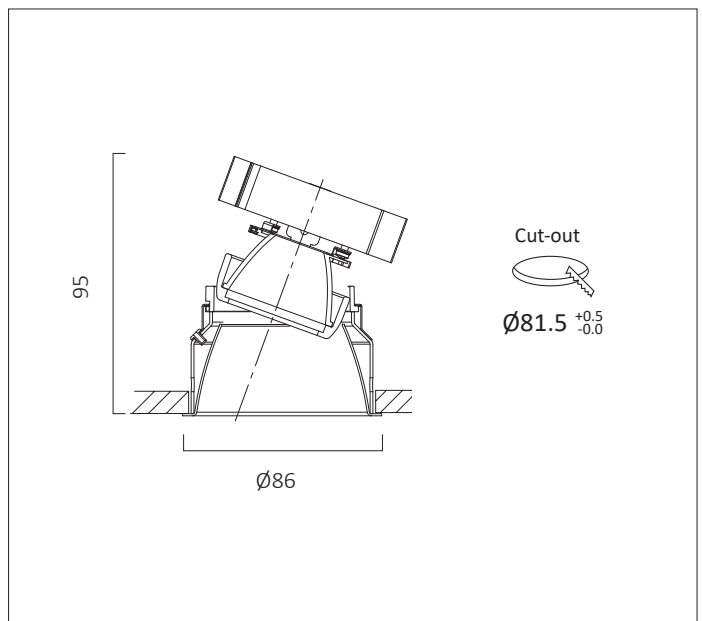


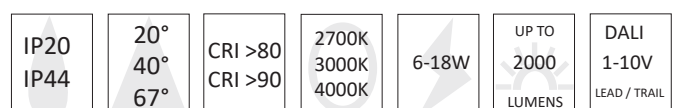
MINITRIM 86 DIRECTIONAL

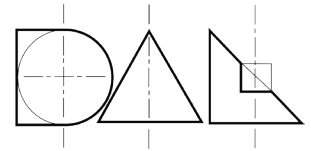


MINITRIM 86 DIRECTIONAL Round recessed directional downlighter with no separate ceiling trim and a choice of deep cone reflector finish and beam distribution. The high-quality precision light controller with lens plus deep cone aluminium reflector gives visual comfort. The MINITRIM 86 DIRECTIONAL is easy to install and incorporates the latest, high efficiency LED technology. Colour consistency through life is ensured by state-of-the-art components and passive cooling aluminium heat sinks. Standard colour temperatures: 2700K, 3000K, 4000K, colour rendering Ra >80 and >90 2-3 step Macadam are all available. Life 50000 hours. A choice of drivers provide fixed supply or dimming to project requirements. IP20 or IP44 durable, high specification die-cast construction, colour powder coat finish provide longevity. Built to conform to the requirements of BS EN 60598-1 and IEC 598. The MINITRIM 86 spring mechanism makes installation easy. Photometrically tested to LM-79-08 confirms MINITRIM high performance.



	Specular Silver	Satin Silver	Black	White	Gold
IP20					
20°	D6621	D6622	D6623	D6624	D6625
40°	D6641	D6642	D6643	D6644	D6645
67°	D6661	D6662	D6663	D6664	D6665
IP44					
20°	D6721	D6722	D6723	D6724	D6725
40°	D6741	D6742	D6743	D6744	D6745
67°	D6761	D6762	D6763	D6764	D6765



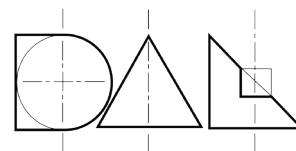


Engine Order Code	Output (Lumens)	CCT	CRI	Pd (W)	VF forward	Current
10F2	1000	2700K	>80	6.8W	33	200 mA
13F2	1300	2700K	>80	8.9W	34	250 mA
15F2	1500	2700K	>80	10.2W	34	350 mA
20F2	2000	2700K	>80	13.6W	35	450 mA
10F3	1000	3000K	>80	6.8W	33	200 mA
13F3	1300	3000K	>80	8.9W	34	250 mA
15F3	1500	3000K	>80	10.2W	34	350 mA
20F3	2000	3000K	>80	13.6W	35	450 mA
10F5	1000	4000K	>80	6.8W	33	200 mA
13F5	1300	4000K	>80	8.9W	34	250 mA
15F5	1500	4000K	>80	10.2W	34	350 mA
20F5	2000	4000K	>80	13.6W	35	450 mA

Engine Order Code	Output (Lumens)	CCT	CRI	Pd (W)	VF forward	Current
10G2	1000	2700K	>90	8.3W	33	250 mA
13G2	1300	2700K	>90	10.8W	34	300 mA
15G2	1500	2700K	>90	12.5W	34	400 mA
20G2	2000	2700K	>90	16.6W	35	500 mA
10G3	1000	3000K	>90	8.3W	33	250 mA
13G3	1300	3000K	>90	10.8W	34	300 mA
15G3	1500	3000K	>90	12.5W	34	400 mA
20G3	2000	3000K	>90	16.6W	35	500 mA
10G5	1000	4000K	>90	8.3W	33	250 mA
13G5	1300	4000K	>90	10.8W	34	300 mA
15G5	1500	4000K	>90	12.5W	34	400 mA
20G5	2000	4000K	>90	16.6W	35	500 mA

Tolerance range for optical and electrical data: ±10 %.

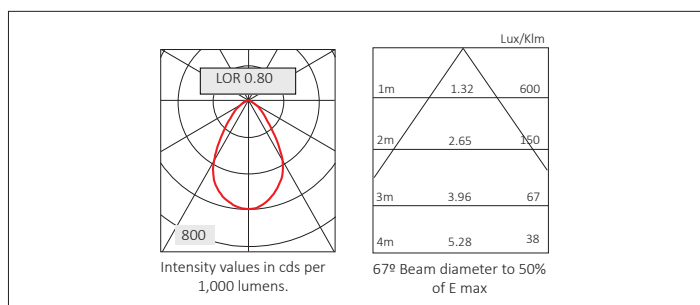
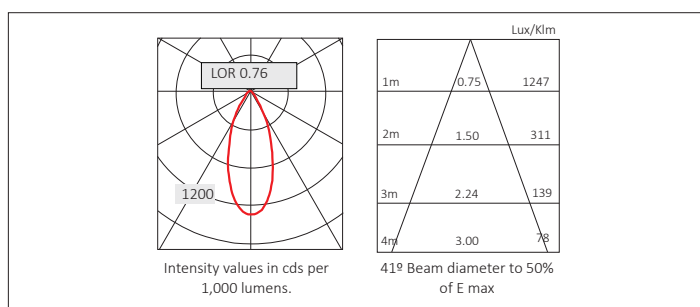
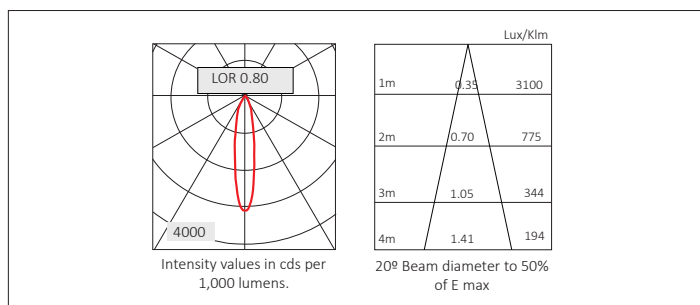
DRIVERS & EMERGENCY



Driver Order Code	Lumens	Make	Type	Max Output	Voltage Range	Dimming Range	Current Range	DAL Part No
0	FIXED							
1	1-10V							
3	DSI							
5	DALI							
7	LEAD / TRAIL							

Emergency Order Code	Description	Output (Lumens)	Emergency Operation (Lumens)	DAL Part No
0	No emergency			
E	3 hour maintained emergency pack			
9E	with DALI Addressable with full error feed back			

PHOTOMETRIC DATA



Full Product Number Example

D644113F290

D64 Citizen LED- IP20

4 40°

1 Specular Silver

13 1300

F CRI >80 - 3 Step MacAdam

2 2700K

9 Addressable

0 No Emergency