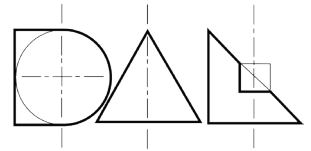


# MINITRIM 62 - CITIZEN LED

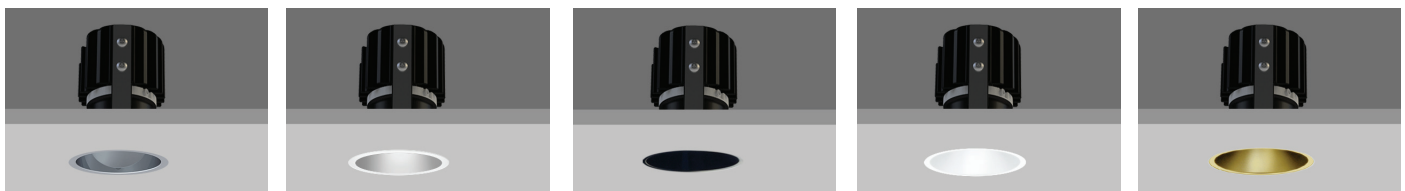
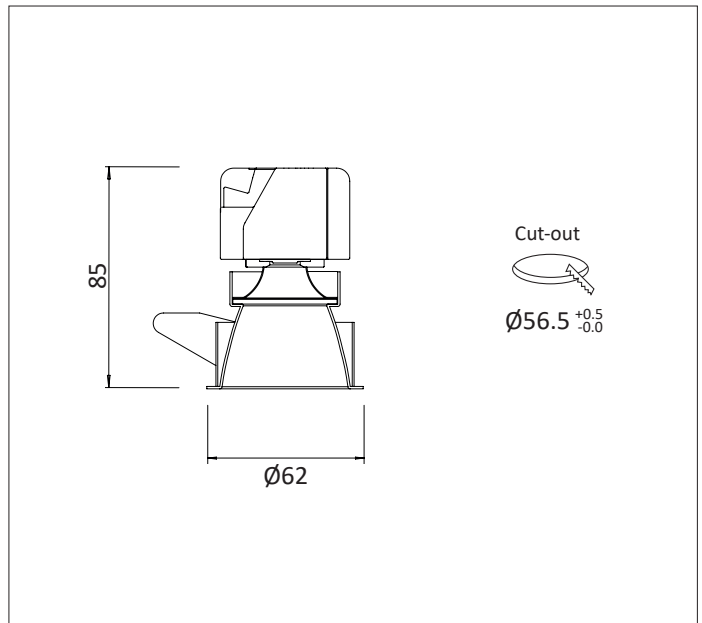
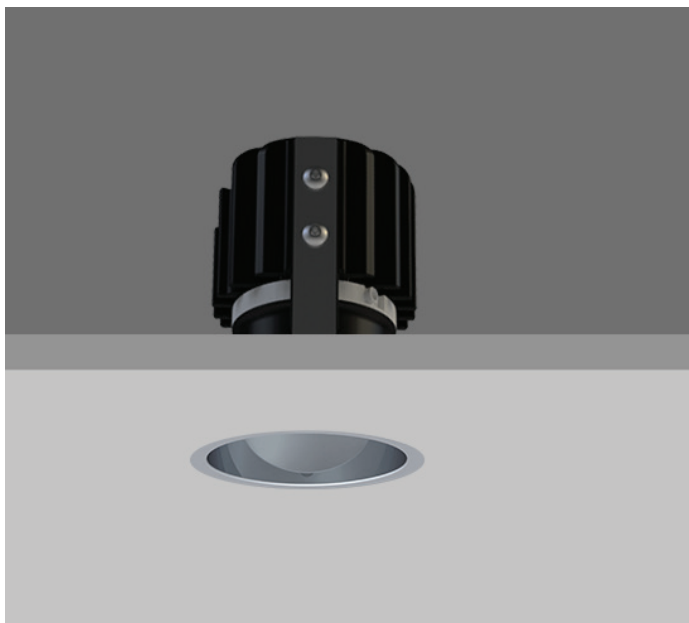


MINITRIM 62 FIXED Round recessed downlighter with no separate ceiling trim and a choice of deep cone reflector finish and beam distribution. The high-quality precision light controller with lens plus deep cone aluminium reflector gives visual comfort. The MINITRIM 62 is easy to install and incorporates the latest, high efficiency LED technology. Colour consistency through life is ensured by state-of-the-art components and passive cooling aluminium heat sinks.

Standard colour temperatures: 2700K, 3000K, 4000K, colour rendering Ra >80 and >90 2-3 step Macadam are all available.

Life 50000 hours. A choice of drivers provide fixed supply or dimming to project requirements. IP20 durable, high specification diecast construction, colour powder coat finish provides longevity.

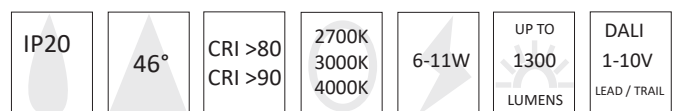
Built to conform to the requirements of BS EN 60598-1 and IEC 598. The MINITRIM 62 spring mechanism makes installation easy. Photometrically tested to LM-79-08 confirms MINITRIMs high performance.

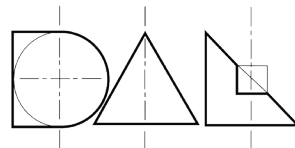


Spectro Silver    Satin Silver    Black    White    Gold

IP20

	Spectro Silver	Satin Silver	Black	White	Gold
46°	<b>F8647</b>	<b>F8642</b>	<b>F8643</b>	<b>F8644</b>	<b>F8645</b>





Engine Order Code	Output (Lumens)	CCT	CRI	Pd (W)	VF forward	Current
<b>10F2</b>	1000	2700K	>80	6.5W	32	200 mA
<b>13F2</b>	1300	2700K	>80	8.3W	33	250 mA

<b>10F3</b>	1000	3000K	>80	6.5W	32	200 mA
<b>13F3</b>	1300	3000K	>80	8.3W	33	250 mA

<b>10F5</b>	1000	4000K	>80	6.5W	32	200 mA
<b>13F5</b>	1300	4000K	>80	8.3W	33	250 mA

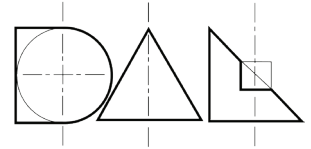
Engine Order Code	Output (Lumens)	CCT	CRI	Pd (W)	VF forward	Current
<b>10G2</b>	1000	2700K	>90	8.3W	33	250 mA
<b>13G2</b>	1300	2700K	>90	10.8W	34	300 mA

<b>10G3</b>	1000	3000K	>90	8.3W	33	250 mA
<b>13G3</b>	1300	3000K	>90	10.8W	34	300 mA

<b>10G5</b>	1000	4000K	>90	8.3W	33	250 mA
<b>13G5</b>	1300	4000K	>90	10.8W	34	300 mA

Tolerance range for optical and electrical data: ±10 %.

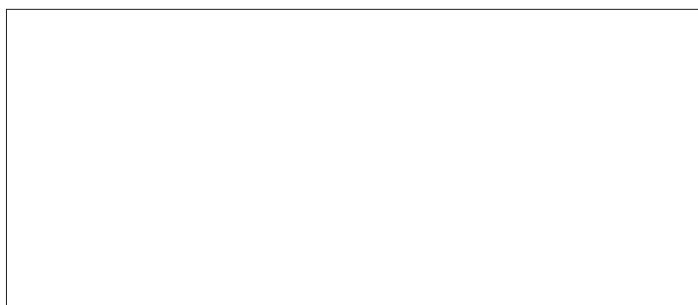
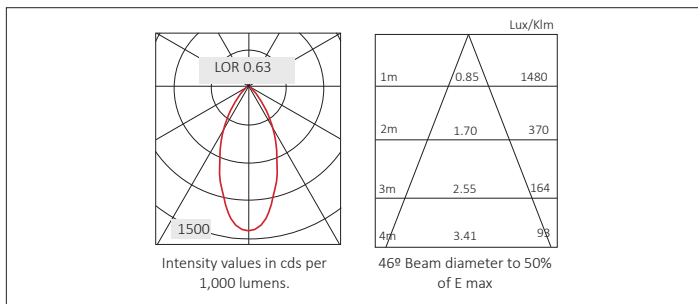
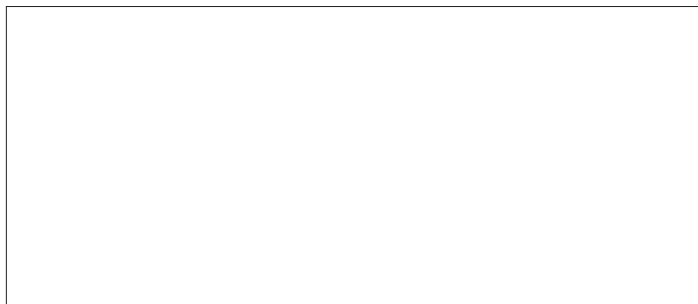
# DRIVERS & EMERGENCY



Driver Order Code	Lumens	Make	Type	Max Output	Voltage Range	Dimming Range	Current Range	DAL Part No
<b>0</b>	FIXED							
<b>1</b>	1-10V							
<b>3</b>	DSI							
<b>5</b>	DALI							
<b>7</b>	LEAD / TRAIL							

Emergency Order Code	Description	Output (Lumens)	Emergency Operation (Lumens)	DAL Part No
<b>0</b>	No emergency			
<b>E</b>	3 hour maintained emergency pack			
<b>9E</b>	with DALI Addressable with full error feed back			

# PHOTOMETRIC DATA



Full Product Number Example

**F864113F290**

**F86** Minitrim 62 Fixed Citizen LED- IP20

**4** 46°

**7** Spectro Silver

**13** 1300

**F** CRI >80 - 3 Step MacAdam

**2** 2700K

**9** Addressable

**0** No Emergency