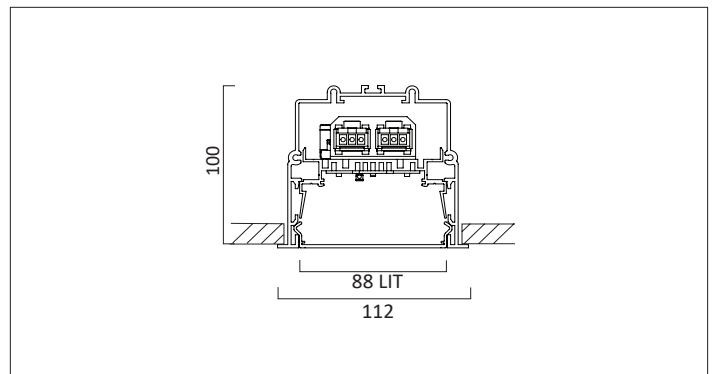
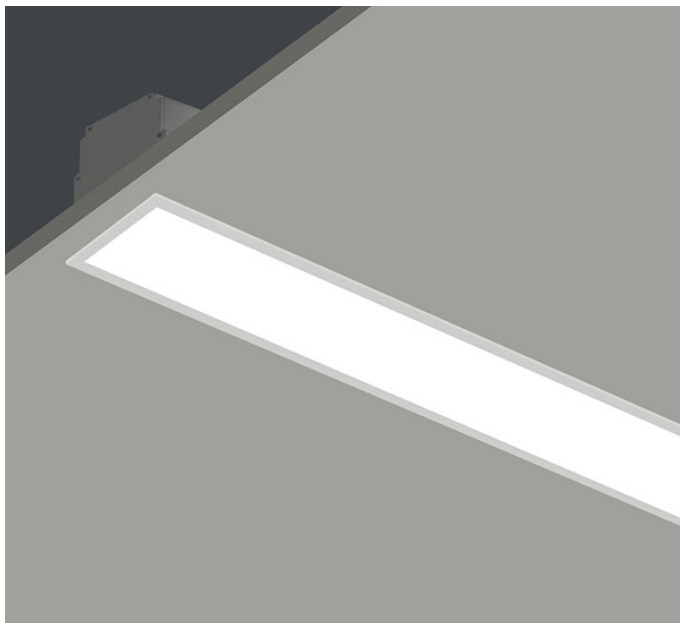


LIGHTLINE LED 88

LIGHTLINE LED 88 is suitable for recess mounting in most ceiling types. It consists of an aluminium extruded profile with white RAL 9010 ceiling trim as individual modules in various chassis lengths, and comes complete with integral driver.

Optical control is provided by a clip in opal diffuser.

High Output LED. Small tolerance of MacAdam 3. Long life 72,000 hours.



Construction	Aluminium / Steel / Plastic
Diffuser	Opal
Ceiling Trim	White RAL 9010
IP	IP40
Control	Fixed, DALI, 1-10V

Product No	Length (mm)	Colour Temp	CRI	Source (Lm)	Wattage (W)	Current (mA)	System Efficacy (Lm/W)	Luminaire Efficacy (LLm/W)	Cut Out (mm)
L2802	590	3000K	>80	2260	13.2	300	162	102	103 x 581
L2803	870	3000K	>80	3390	19.8	300	162	102	103 x 861
L2804	1150	3000K	>80	4520	26.4	300	162	102	103 x 1141
L2805	1430	3000K	>80	5650	33.0	300	162	102	103 x 1421
L2806	1710	3000K	>80	6780	39.6	300	162	102	103 x 1701
L2902	590	4000K	>80	2340	13.2	300	170	107	103 x 581
L2903	870	4000K	>80	3510	19.8	300	170	107	103 x 861
L2904	1150	4000K	>80	4680	26.4	300	170	107	103 x 1141
L2905	1430	4000K	>80	5850	33.0	300	170	107	103 x 1421
L2906	1710	4000K	>80	7020	39.6	300	170	107	103 x 1701

Tolerance range for optical and electrical data: $\pm 10\%$.
Other outputs are available.