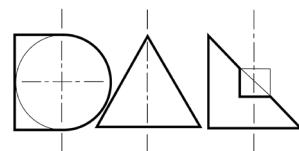


MINITRIM 86



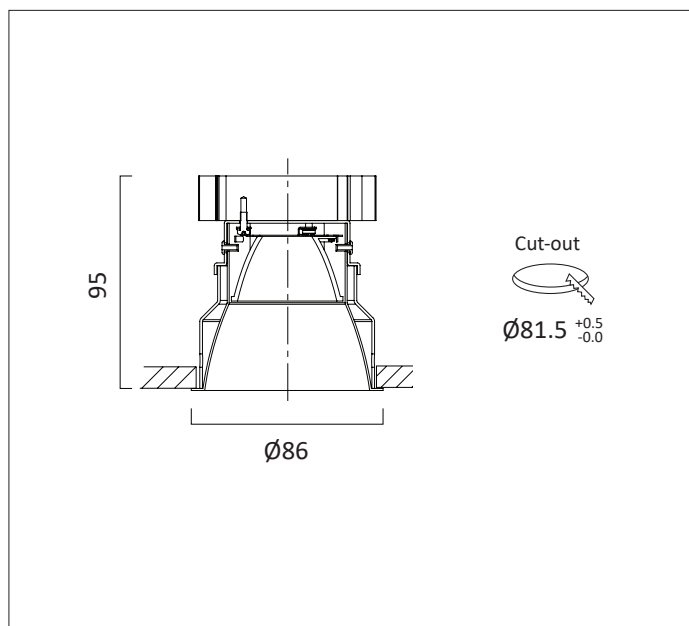
MINITRIM 86 FIXED Round recessed downlighter with no separate ceiling trim and a choice of deep cone reflector finish and beam distribution. The high-quality precision light controller with lens plus deep cone aluminium reflector gives visual comfort.

The MINITRIM 86 is easy to install and incorporates the latest, high efficiency LED technology. Colour consistency through life is ensured by state-of-the-art components and passive cooling aluminium heat sinks.

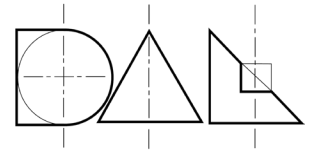
Standard colour temperatures: 2700K, 3000K, 4000K, colour rendering Ra >80 and >90 2-3 step Macadam are all available.

Life 50000 hours. A choice of drivers provide fixed supply or dimming to project requirements. IP20 or IP44 durable, high specification die-cast construction, colour powder coat finish provides longevity.

Built to conform to the requirements of BS EN 60598-1 and IEC 598. The MINITRIM 86 spring mechanism makes installation easy. Photometrically tested to LM-79-08 confirms MINITRIM's high performance.



	Specular Silver	Satin Silver	Black	White	Gold
IP20					
20°	D6421	D6422	D6423	D6424	D6425
40°	D6441	D6442	D6443	D6444	D6445
67°	D6461	D6462	D6463	D6464	D6465
IP44					
20°	D6521	D6522	D6523	D6524	D6525
40°	D6541	D6542	D6543	D6544	D6545
67°	D6561	D6562	D6563	D6564	D6565

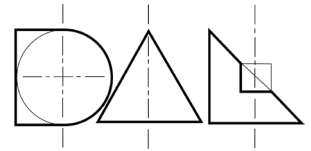


Engine Order Code	Output (Lumens)	CCT	CRI	Pd (W)	VF forward	Current
10F2	1000	2700K	>80	6.8W	33	200 mA
13F2	1300	2700K	>80	8.9W	34	250 mA
15F2	1500	2700K	>80	10.2W	34	350 mA
20F2	2000	2700K	>80	13.6W	35	450 mA
10F3	1000	3000K	>80	6.8W	33	200 mA
13F3	1300	3000K	>80	8.9W	34	250 mA
15F3	1500	3000K	>80	10.2W	34	350 mA
20F3	2000	3000K	>80	13.6W	35	450 mA
10F5	1000	4000K	>80	6.8W	33	200 mA
13F5	1300	4000K	>80	8.9W	34	250 mA
15F5	1500	4000K	>80	10.2W	34	350 mA
20F5	2000	4000K	>80	13.6W	35	450 mA

Engine Order Code	Output (Lumens)	CCT	CRI	Pd (W)	VF forward	Current
10G2	1000	2700K	>90	8.3W	33	250 mA
13G2	1300	2700K	>90	10.8W	34	300 mA
15G2	1500	2700K	>90	12.5W	34	400 mA
20G2	2000	2700K	>90	16.6W	35	500 mA
10G3	1000	3000K	>90	8.3W	33	250 mA
13G3	1300	3000K	>90	10.8W	34	300 mA
15G3	1500	3000K	>90	12.5W	34	400 mA
20G3	2000	3000K	>90	16.6W	35	500 mA
10G5	1000	4000K	>90	8.3W	33	250 mA
13G5	1300	4000K	>90	10.8W	34	300 mA
15G5	1500	4000K	>90	12.5W	34	400 mA
20G5	2000	4000K	>90	16.6W	35	500 mA

Tolerance range for optical and electrical data: $\pm 10\%$.

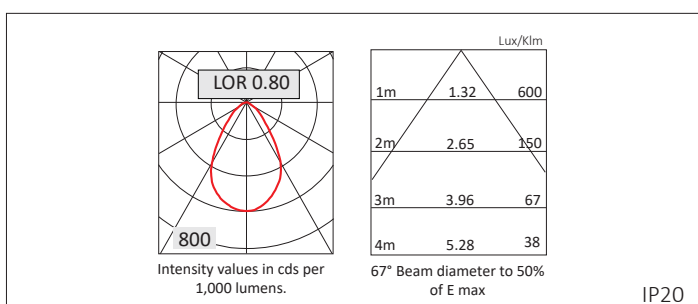
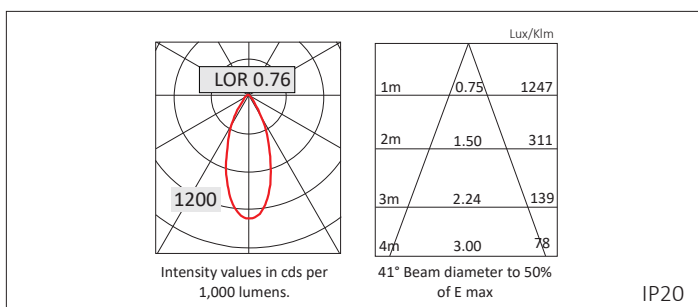
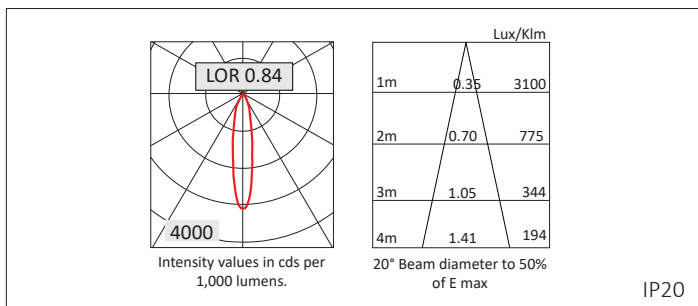
DRIVERS & EMERGENCY



Driver Order Code	Lumens	Make	Type	Max Output	Voltage Range	Dimming Range	Current Range	DAL Part No
0	FIXED							
1	1-10V							
3	DSI							
5	DALI							
7	LEAD / TRAIL							

Emergency Order Code	Description	Output (Lumens)	Emergency Operation (Lumens)	DAL Part No
0	No emergency			
E	3 hour maintained emergency pack			
9E	with DALI Addressable with full error feed back			

PHOTOMETRIC DATA



Full Product Number Example

D644113F290

D64 Citizen LED- IP20

4 40°

1 Specular Silver

13 1300 Lumens

F CRI >80 - 3 Step MacAdam

2 2700K

9 Addressable

0 No Emergency