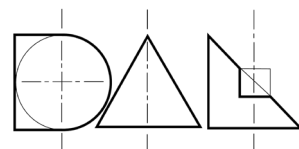


# MINITRIM X86 DIRECTIONAL

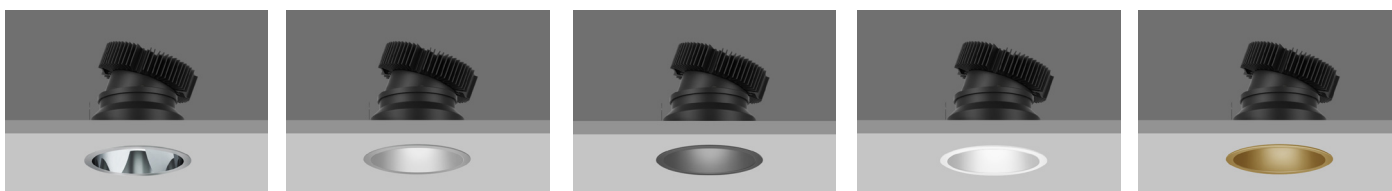
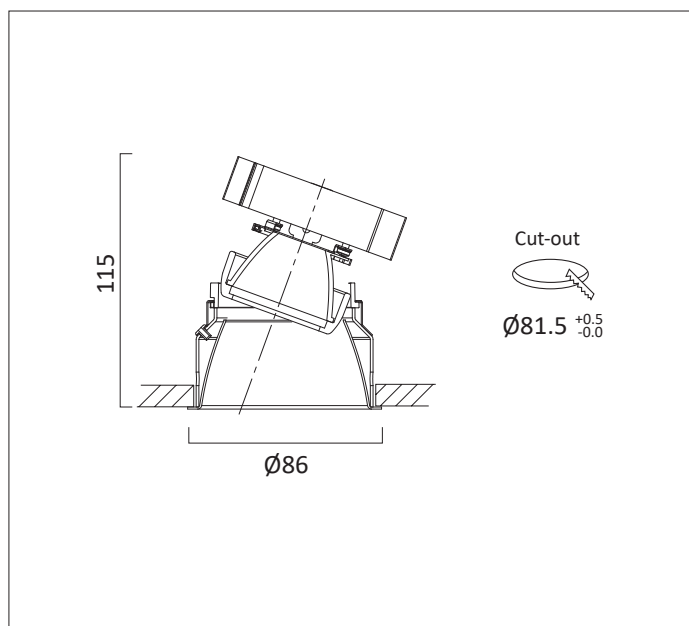


MINITRIM X86 DIRECTIONAL Round recessed downlighter with no separate ceiling trim and a choice of deep cone reflector finish and beam distribution. The high-quality precision light controller with lens plus deep deep cone aluminium reflector gives visual comfort. The MINITRIM X86 is easy to install and incorporates the latest, high efficiency LED technology. Colour consistency through life is ensured by state-of-the-art components and passive cooling aluminium heat sinks.

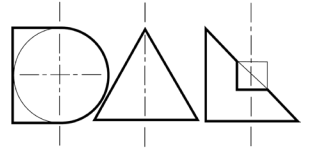
Standard colour temperatures: 2700K, 3000K, 4000K, colour rendering Ra >80 2 step Macadam are all available.

Life 50000 hours. A choice of drivers provide fixed supply or dimming to project requirements. IP20 or IP44 durable, high specification diecast construction, colour powder coat finish provides longevity.

Built to conform to the requirements of BS EN 60598-1 and IEC 598. The MINITRIM X86 DIRECTIONAL spring mechanism makes installation easy. Photometrically tested to LM-79-08 confirms MINITRIMs high performance.



	Specular Silver	Satin Silver	Black	White	Gold
<b>IP20</b>					
20°	<b>D6121</b>	<b>D6122</b>	<b>D6123</b>	<b>D6124</b>	<b>D6125</b>
40°	<b>D6141</b>	<b>D6142</b>	<b>D6143</b>	<b>D6144</b>	<b>D6145</b>
60°	<b>D6161</b>	<b>D6162</b>	<b>D6163</b>	<b>D6164</b>	<b>D6165</b>
<b>IP44</b>					
20°	<b>D6221</b>	<b>D6222</b>	<b>D6223</b>	<b>D6224</b>	<b>D6225</b>
40°	<b>D6241</b>	<b>D6242</b>	<b>D6243</b>	<b>D6244</b>	<b>D6245</b>
67°	<b>D6261</b>	<b>D6262</b>	<b>D6263</b>	<b>D6264</b>	<b>D6265</b>



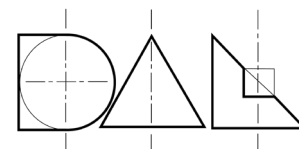
**9mm LIGHT ENGINE for 20° beam**

Engine Order Code	Output (Lumens)	CCT	CRI	Pd (W)	Vf forward typical	Current
<b>09A2</b>	965	2700K	>80	10.9W	21.7	500 mA
<b>13A2</b>	1300	2700K	>80	15.6W	22.3	700 mA
<b>09A3</b>	965	3000K	>80	10.9W	21.7	500 mA
<b>13A3</b>	1300	3000K	>80	15.6W	22.3	700 mA
<b>09A5</b>	965	4000K	>80	10.9W	21.7	500 mA
<b>13A5</b>	1300	4000K	>80	15.6W	22.3	700 mA

**19mm LIGHT ENGINE for 40° and 60° beam**

Engine Order Code	Output (Lumens)	CCT	CRI	Pd (W)	Vf forward typical	Current
<b>09A2</b>	965	2700K	>80	6.6W	13.2	500 mA
<b>13A2</b>	1300	2700K	>80	9.5W	13.6	700 mA
<b>14A2</b>	1490	2700K	>80	10.6W	21.1	500 mA
<b>20A2</b>	2000	2700K	>80	15.2W	21.7	700 mA
<b>09A3</b>	965	3000K	>80	6.6W	13.2	500 mA
<b>13A3</b>	1300	3000K	>80	9.5W	13.6	700 mA
<b>14A3</b>	1490	3000K	>80	10.6W	21.1	500 mA
<b>20A3</b>	2000	3000K	>80	15.2W	21.7	700 mA
<b>09A5</b>	965	4000K	>80	6.6W	13.2	500 mA
<b>13A5</b>	1300	4000K	>80	9.5W	13.6	700 mA
<b>14A5</b>	1490	4000K	>80	10.6W	21.1	500 mA
<b>20A5</b>	2000	4000K	>80	15.2W	21.7	700 mA

# DRIVERS & EMERGENCY



Driver Order Code	Lumens	Make	Type	Max Output	Voltage Range	Dimming Range	Current Range	DAL Part No
<b>0</b>	FIXED							
<b>1</b>	1-10V							
<b>3</b>	DSI							
<b>5</b>	DALI							
<b>7</b>	LEAD / TRAIL							

Emergency Order Code	Description	Output (Lumens)	Emergency Operation (Lumens)	DAL Part No
<b>0</b>	No emergency			
<b>E</b>	3 hour maintained emergency pack			
<b>9E</b>	with DALI Addressable with full error feed back			

# PHOTOMETRIC DATA



Full Product Number Example

**D614113A290**

**CD61** Xicato LED- IP20

**4** 40°

**1** Specular Silver

**13** 1300 lumens

**A** CRI >80 - 2 Step MacAdam

**2** 2700K

**9** Addressable Driver

**0** No Emergency

