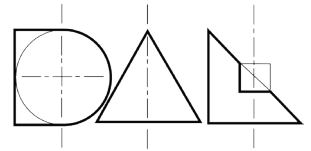


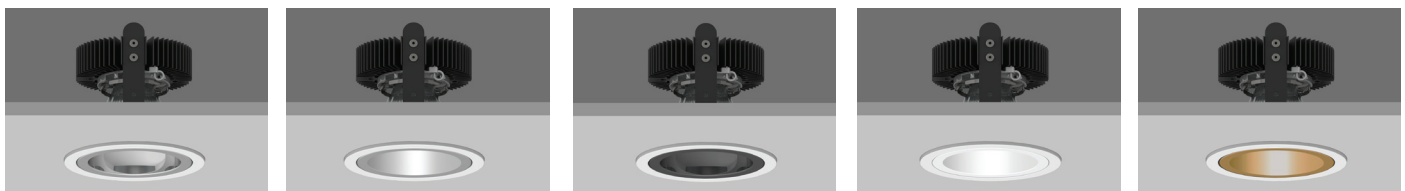
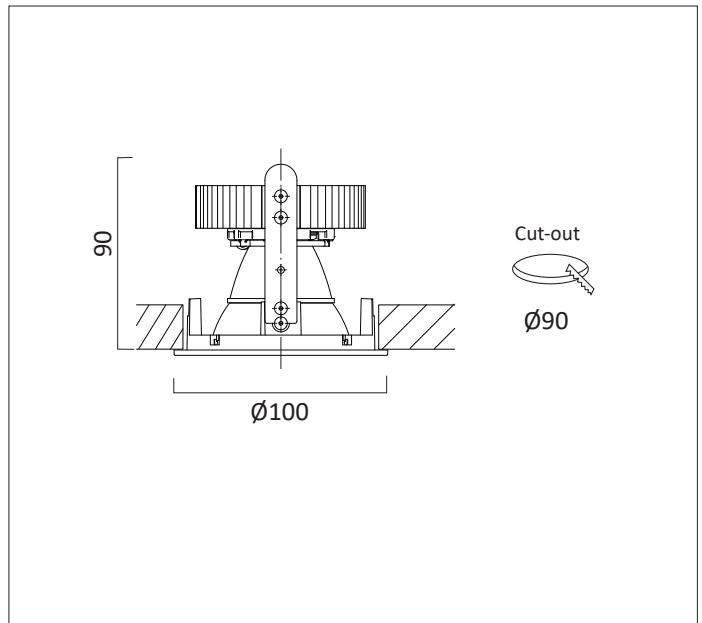
AMBIANCE X100 - Xicato LED



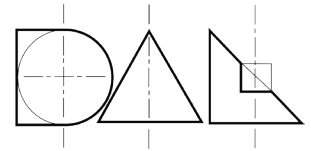
AMBIANCE X100 FIXED Round recessed downlighter with standard white ceiling trim and a choice of deep cone reflector finish and beam distribution. The high-quality precision light controller and deep deep cone aluminium reflector gives visual comfort. The AMBIANCE X100 is easy to install and incorporates the latest, high efficiency LED technology. Colour consistency through life is ensured by state-of-the-art components and passive cooling aluminium heat sinks.

Standard colour temperatures: 2700K, 3000K, 4000K, colour rendering Ra >80 2 step Macadam are all available. Life 50000 hours. A choice of drivers provide fixed supply or dimming to project requirements. IP20 or IP44 durable, high specification diecast construction, colour powder coat finish provides longevity.

Built to conform to the requirements of BS EN 60598-1 and IEC 598. The AMBIANCE X100 spring mechanism makes installation easy.



	Specular Silver	Satin Silver	Black	White	Gold
IP20					
20°	C0321	C0322	C0323	C0324	C0325
40°	C0341	C0342	C0343	C0344	C0345
60°	C0361	C0362	C0363	C0364	C0365
IP44					
20°	C0421	C0422	C0423	C0424	C0425
40°	C0441	C0442	C0443	C0444	C0445
60°	C0461	C0462	C0463	C0464	C0465



9mm LIGHT ENGINE for 20° beam

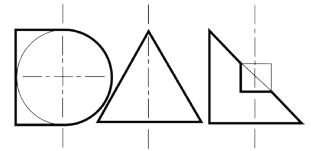
Engine Order Code	Output (Lumens)	CCT	CRI	Pd (W)	Vf forward typical	Current
07A2	720	2700K	>80	7.4W	21.2	350mA
09A2	965	2700K	>80	10.9W	21.7	500 mA
13A2	1300	2700K	>80	15.6W	22.3	700 mA
07A3	720	3000K	>80	7.4W	21.2	350 mA
09A3	965	3000K	>80	10.9W	21.7	500 mA
13A3	1300	3000K	>80	15.6W	22.3	700 mA
07A5	720	4000K	>80	7.4W	21.2	350 mA
09A5	965	4000K	>80	10.9W	21.7	500 mA
13A5	1300	4000K	>80	15.6W	22.3	700 mA

19mm LIGHT ENGINE for 40° and 60° beam

Engine Order Code	Output (Lumens)	CCT	CRI	Pd (W)	Vf forward typical	Current
09A2	965	2700K	>80	6.6W	13.2	500 mA
13A2	1300	2700K	>80	9.5W	13.6	700 mA
14A2	1490	2700K	>80	10.6W	21.1	500 mA
20A2	2000	2700K	>80	15.2W	21.7	700 mA
09A3	965	3000K	>80	6.6W	13.2	500 mA
13A3	1300	3000K	>80	9.5W	13.6	700 mA
14A3	1490	3000K	>80	10.6W	21.1	500 mA
20A3	2000	3000K	>80	15.2W	21.7	700 mA
09A5	965	4000K	>80	6.6W	13.2	500 mA
13A5	1300	4000K	>80	9.5W	13.6	700 mA
14A5	1490	4000K	>80	10.6W	21.1	500 mA
20A5	2000	4000K	>80	15.2W	21.7	700 mA

Tolerance range for optical and electrical data: ±10 %.

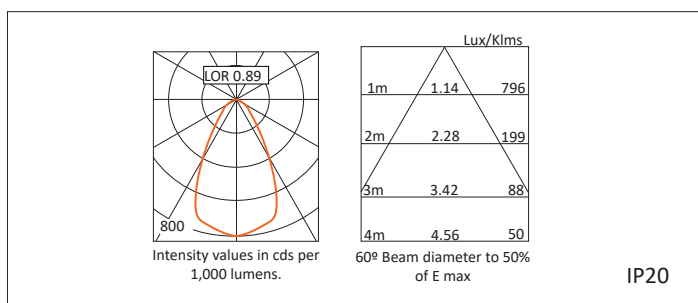
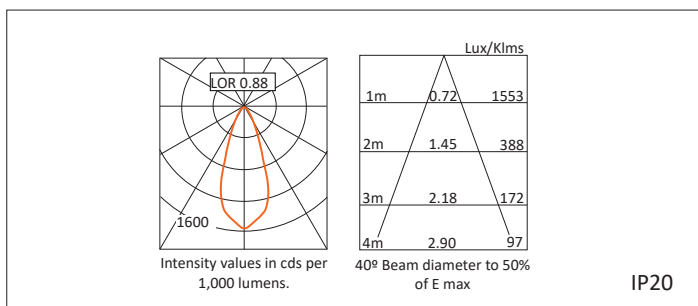
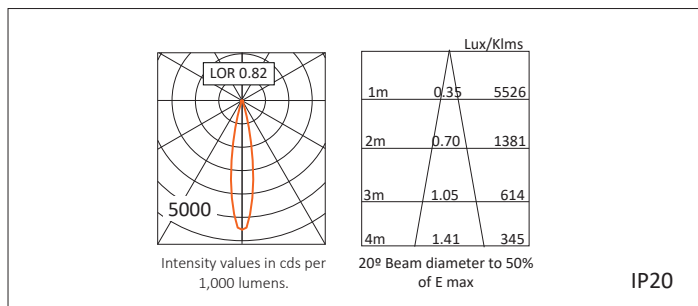
DRIVERS & EMERGENCY



Driver Order Code	Lumens	Make	Type	Max Output	Voltage Range	Dimming Range	Current Range	DAL Part No
0	FIXED							
1	1-10V							
3	DSI							
5	DALI							
7	LEAD / TRAIL							

Emergency Order Code	Description	Output (Lumens)	Emergency Operation (Lumens)	DAL Part No
0	No emergency			
E	3 hour maintained emergency pack			
9E	with DALI Addressable with full error feed back			

PHOTOMETRIC DATA



Full Product Number Example

C034113A290

C03 Xicato LED- IP20

4 40°

1 Specular Silver

13 1300

A CRI >80 - 2 Step MacAdam

2 2700K

9 Addressable Driver

0 No Emergency