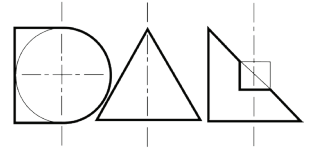


AMBIANCE X100 DIRECTIONAL - Xicato LED

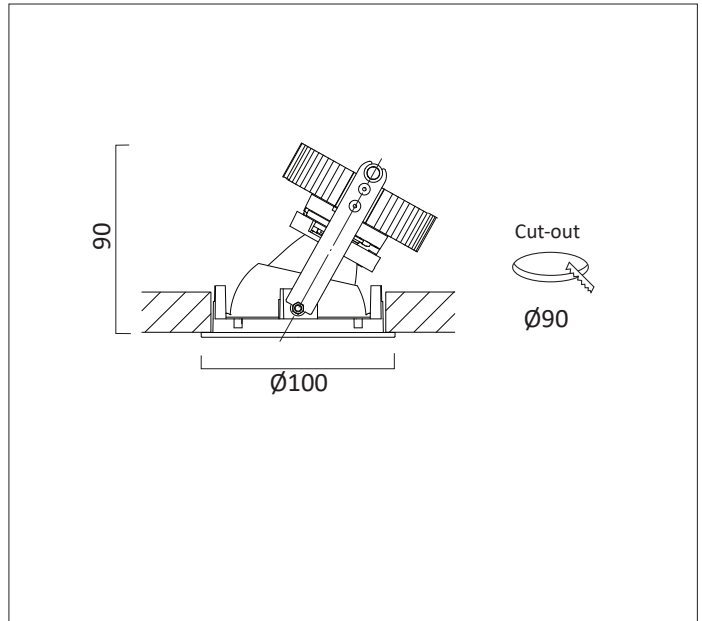


AMBIANCE X100 DIRECTIONAL Round recessed downlighter with standard white ceiling trim and a choice of deep cone reflector finish and beam distribution. 0-30° lockable tilt. The high-quality precision light controller and deep deep cone aluminium reflector gives visual comfort. The AMBIANCE X100 DIRECTIONAL is easy to install and incorporates the latest, high efficiency LED technology. Colour consistency through life is ensured by state-of-the-art components and passive cooling aluminium heat sinks.

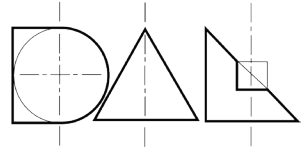
Standard colour temperatures: 2700K, 3000K, 4000K, colour rendering Ra >80 2 step Macadam are all available.

Life 50000 hours. A choice of drivers provide fixed supply or dimming to project requirements. IP20 or IP44 durable, high specification diecast construction, colour powder coat finish provides longevity.

Built to conform to the requirements of BS EN 60598-1 and IEC 598. The AMBIANCE X100 DIRECTIONAL spring mechanism makes installation easy.



	Specular Silver	Satin Silver	Black	White	Gold
IP20					
20°	C0521	C0522	C0523	C0524	C0525
40°	C0541	C0542	C0543	C0544	C0545
60°	C0561	C0562	C0563	C0564	C0565
IP44					
20°	C0621	C0622	C0623	C0624	C0625
40°	C0641	C0642	C0643	C0644	C0645
60°	C0661	C0662	C0663	C0664	C0665



9mm LIGHT ENGINE for 20° beam

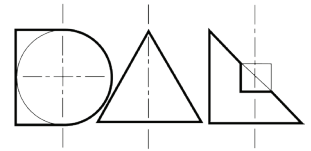
Engine Order Code	Output (Lumens)	CCT	CRI	Pd (W)	Vf forward typical	Current
07A2	720	2700K	>80	7.4W	21.2	350mA
09A2	965	2700K	>80	10.9W	21.7	500 mA
13A2	1300	2700K	>80	15.6W	22.3	700 mA
07A3	720	3000K	>80	7.4W	21.2	350 mA
09A3	965	3000K	>80	10.9W	21.7	500 mA
13A3	1300	3000K	>80	15.6W	22.3	700 mA
07A5	720	4000K	>80	7.4W	21.2	350 mA
09A5	965	4000K	>80	10.9W	21.7	500 mA
13A5	1300	4000K	>80	15.6W	22.3	700 mA

19mm LIGHT ENGINE for 40° and 60° beam

Engine Order Code	Output (Lumens)	CCT	CRI	Pd (W)	Vf forward typical	Current
09A2	965	2700K	>80	6.6W	13.2	500 mA
13A2	1300	2700K	>80	9.5W	13.6	700 mA
14A2	1490	2700K	>80	10.6W	21.1	500 mA
20A2	2000	2700K	>80	15.2W	21.7	700 mA
09A3	965	3000K	>80	6.6W	13.2	500 mA
13A3	1300	3000K	>80	9.5W	13.6	700 mA
14A3	1490	3000K	>80	10.6W	21.1	500 mA
20A3	2000	3000K	>80	15.2W	21.7	700 mA
09A5	965	4000K	>80	6.6W	13.2	500 mA
13A5	1300	4000K	>80	9.5W	13.6	700 mA
14A5	1490	4000K	>80	10.6W	21.1	500 mA
20A5	2000	4000K	>80	15.2W	21.7	700 mA

Tolerance range for optical and electrical data: ±10 %.

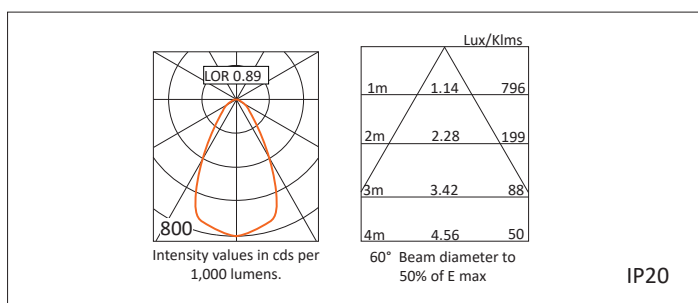
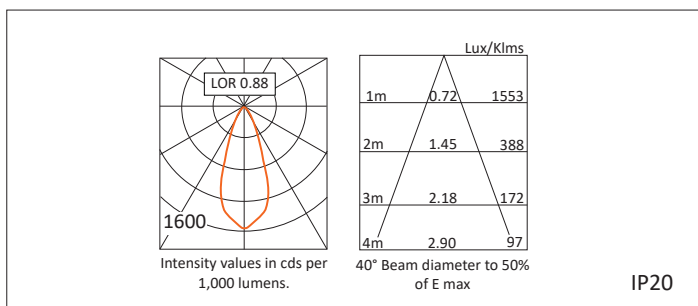
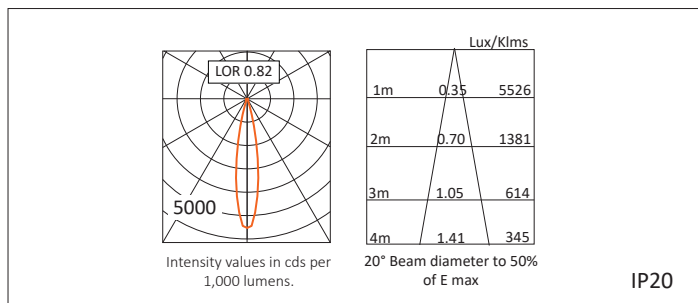
DRIVERS & EMERGENCY



Driver Order Code	Lumens	Make	Type	Max Output	Voltage Range	Dimming Range	Current Range	DAL Part No
0	FIXED							
1	1-10V							
3	DSI							
5	DALI							
7	LEAD / TRAIL							

Emergency Order Code	Description	Output (Lumens)	Emergency Operation (Lumens)	DAL Part No
0	No emergency			
E	3 hour maintained emergency pack			
9E	with DALI Addressable with full error feed back			

PHOTOMETRIC DATA



Full Product Number Example

C054113A290

C05 Xicato LED- IP20

4 40°

1 Specular Silver

13 1300

A CRI >80 - 2 Step MacAdam

2 2700K

9 Addressable Driver

0 No Emergency