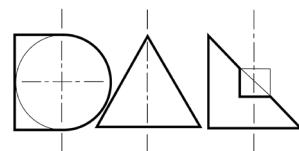


QUAD X86 - Xicato LED

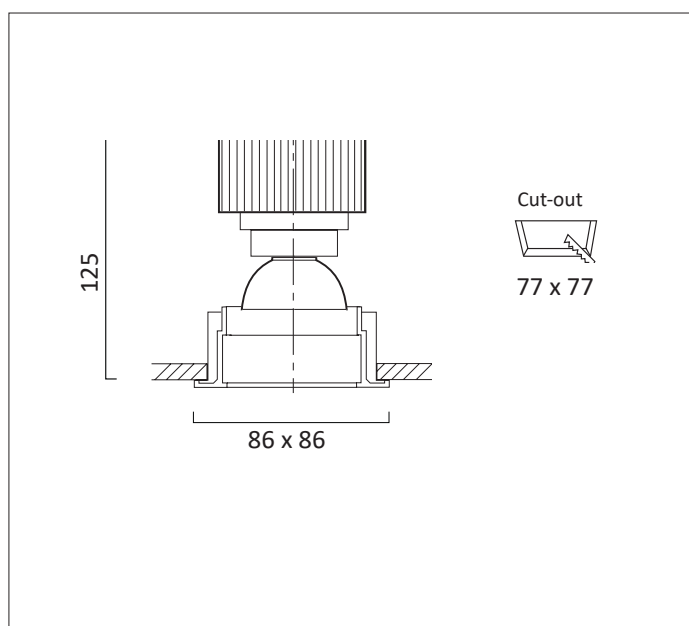


QUAD X86 DIRECTIONAL SQUARE Recessed downlighter with a choice of ceiling trim, black interior finish and beam distribution. The high-quality precision light controller with black deep set position gives visual comfort. The QUAD is easy to install and incorporates the latest, high efficiency LED technology. Colour consistency through life is ensured by state-of-the-art components and passive cooling aluminium heat sinks. 0-30° tilt, 340° rotation.

Standard colour temperatures: 2700K, 3000K, 4000K, colour rendering Ra >80 2 step Macadam are all available.

Life 50000 hours. A choice of drivers provide fixed supply or dimming to project requirements. IP20 or IP44 durable, high specification diecast construction, colour powder coat finish provides longevity.

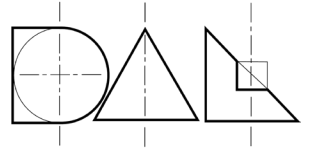
Built to conform to the requirements of BS EN 60598-1 and IEC 598. Photometrically tested to LM-79-08 confirms QUAD X86 high performance.



White Trim
/ Black Interior

Black Trim
/ Black Interior

IP20		
20°	C1920	D9520
40°	C1940	D9540
60°	C1960	D9560
IP44		
20°	C2020	D9620
40°	C2040	D9640
60°	C2060	D9660



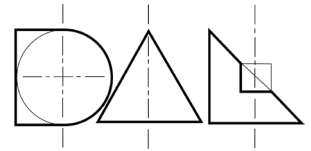
9mm LIGHT ENGINE for 20° beam

Engine Order Code	Output (Lumens)	CCT	CRI	Pd (W)	Vf forward typical	Current
09A2	965	2700K	>80	10.9W	21.7	500 mA
13A2	1300	2700K	>80	15.6W	22.3	700 mA
09A3	965	3000K	>80	10.9W	21.7	500 mA
13A3	1300	3000K	>80	15.6W	22.3	700 mA
09A5	965	4000K	>80	10.9W	21.7	500 mA
13A5	1300	4000K	>80	15.6W	22.3	700 mA

19mm LIGHT ENGINE for 40° and 60° beam

Engine Order Code	Output (Lumens)	CCT	CRI	Pd (W)	Vf forward typical	Current
09A2	965	2700K	>80	6.6W	13.2	500 mA
13A2	1300	2700K	>80	9.5W	13.6	700 mA
14A2	1490	2700K	>80	10.6W	21.1	500 mA
20A2	2000	2700K	>80	15.2W	21.7	700 mA
09A3	965	3000K	>80	6.6W	13.2	500 mA
13A3	1300	3000K	>80	9.5W	13.6	700 mA
14A3	1490	3000K	>80	10.6W	21.1	500 mA
20A3	2000	3000K	>80	15.2W	21.7	700 mA
09A5	965	4000K	>80	6.6W	13.2	500 mA
13A5	1300	4000K	>80	9.5W	13.6	700 mA
14A5	1490	4000K	>80	10.6W	21.1	500 mA
20A5	2000	4000K	>80	15.2W	21.7	700 mA

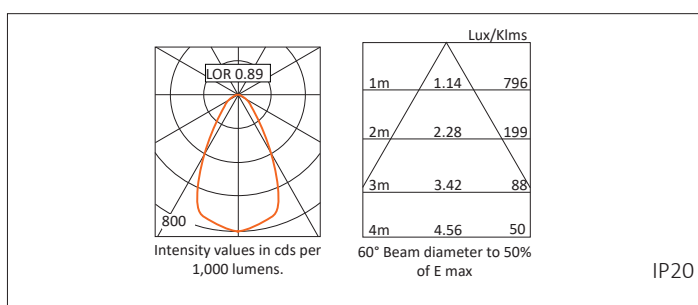
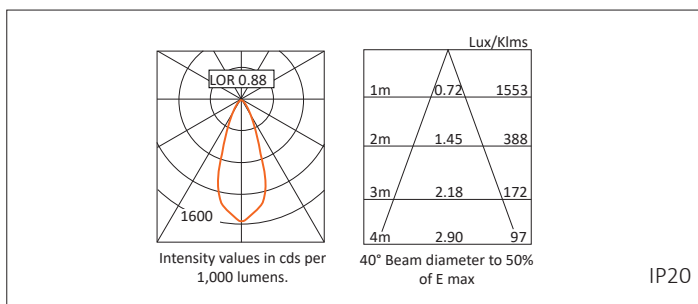
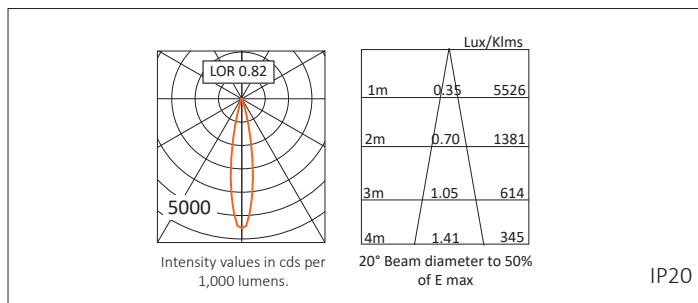
DRIVERS & EMERGENCY



Driver Order Code	
0	FIXED
1	1-10V
3	DSI
5	DALI
7	LEAD / TRAIL

Emergency Order Code	Description	Lumens	Emergency Operation (Lumens)
0	No emergency		
E	3 hour maintained emergency pack	965	193
		1300	185
		1490	285
		2000	285
9E	with DALI Addressable with full error feed back		

PHOTOMETRIC DATA



Full Product Number Example

C194013A290

C19 Xicato LED- IP20

4 40°

0

13 1300

A CRI >80 - 2 Step MacAdam

2 2700K

9 Addressable Driver

0 No Emergency