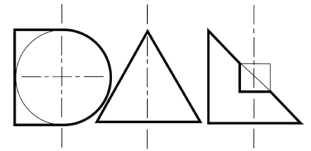
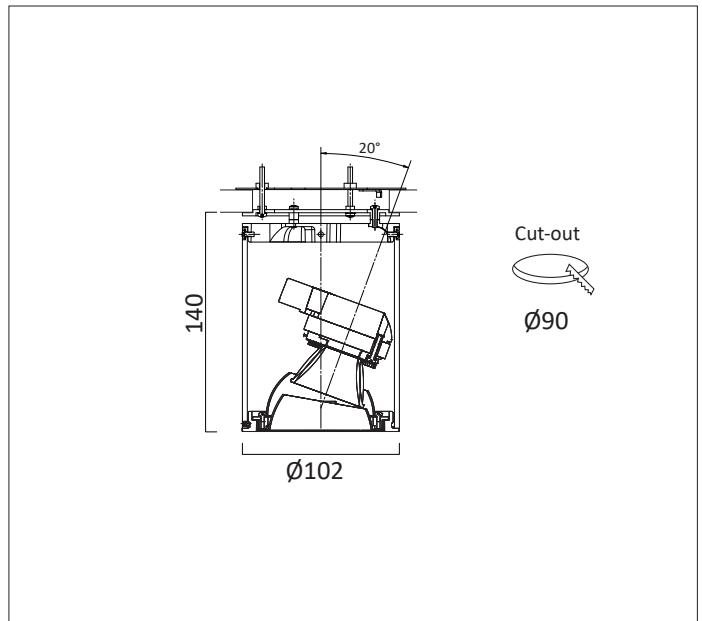


CIVIC X102 DIRECTIONAL - Xicato LED



CIVIC X102 DIRECTIONAL Surface mounted downlighter with deep cone specular silver reflector with a choice of beam distribution. 0-340° lockable rotation, 0-20° tilt secure adjustability. CIVIC X102 DIRECTIONAL finished in white or black. The high-quality precision light controller and deep cone aluminium reflector gives visual comfort. Driver mounted remotely. The CIVIC X102 DIRECTIONAL is easy to install and incorporates the latest, high efficiency LED technology. Colour consistency through life is ensured by state-of-the-art components and passive cooling aluminium heat sinks. Standard colour temperatures: 2700K, 3000K, 4000K, colour rendering Ra >80 2 step Macadam are all available. Life 50000 hours. A choice of drivers provide fixed supply or dimming to project requirements. IP20 durable, high specification diecast construction, colour powder coat finish provides longevity. Built to conform to the requirements of BS EN 60598-1 and IEC 598.



WHITE CASING RAL 9010

IP20 Specular Silver Reflector

20° **F4321**

40° **F4341**

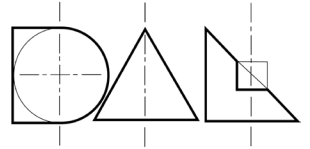
60° **F4361**

BLACK CASING RAL 9005

20° **F4421**

40° **F4441**

60° **F4461**



9mm LIGHT ENGINE for 20° beam

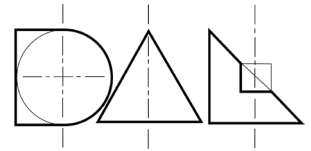
Engine Order Code	Output (Lumens)	CCT	CRI	Pd (W)	Vf forward typical	Current
07A2	720	2700K	>80	7.4W	21.2	350mA
09A2	965	2700K	>80	10.9W	21.7	500 mA
13A2	1300	2700K	>80	15.6W	22.3	700 mA
07A3	720	3000K	>80	7.4W	21.2	350 mA
09A3	965	3000K	>80	10.9W	21.7	500 mA
13A3	1300	3000K	>80	15.6W	22.3	700 mA
07A5	720	4000K	>80	7.4W	21.2	350 mA
09A5	965	4000K	>80	10.9W	21.7	500 mA
13A5	1300	4000K	>80	15.6W	22.3	700 mA

19mm LIGHT ENGINE for 40° and 60° beam

Engine Order Code	Output (Lumens)	CCT	CRI	Pd (W)	Vf forward typical	Current
09A2	965	2700K	>80	6.6W	13.2	500 mA
13A2	1300	2700K	>80	9.5W	13.6	700 mA
14A2	1490	2700K	>80	10.6W	21.1	500 mA
20A2	2000	2700K	>80	15.2W	21.7	700 mA
09A3	965	3000K	>80	6.6W	13.2	500 mA
13A3	1300	3000K	>80	9.5W	13.6	700 mA
14A3	1490	3000K	>80	10.6W	21.1	500 mA
20A3	2000	3000K	>80	15.2W	21.7	700 mA
09A5	965	4000K	>80	6.6W	13.2	500 mA
13A5	1300	4000K	>80	9.5W	13.6	700 mA
14A5	1490	4000K	>80	10.6W	21.1	500 mA
20A5	2000	4000K	>80	15.2W	21.7	700 mA

Tolerance range for optical and electrical data: ±10 %.

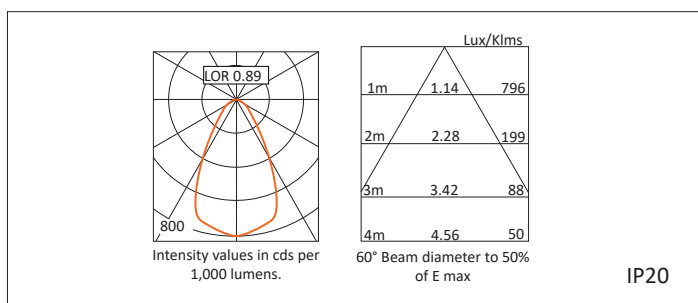
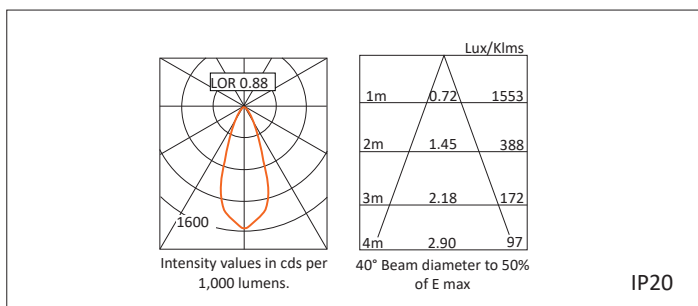
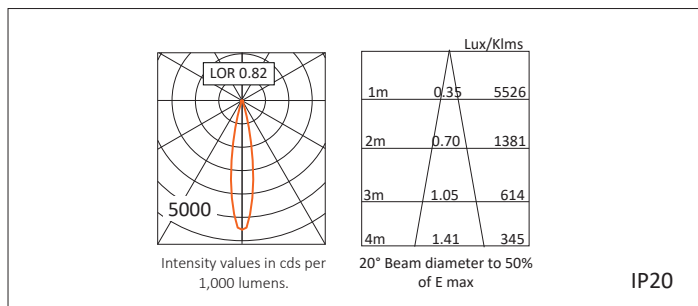
DRIVERS & EMERGENCY



Driver Order Code	Lumens
0	FIXED
1	1-10V
3	DSI
5	DALI
7	LEAD / TRAIL

Emergency Order Code	Description	Lumens	Emergency Operation (Lumens)
0	No emergency		
E	3 hour maintained emergency pack	965	193
		1300	185
		1490	285
		2000	285
9E	with DALI Addressable with full error feed back		

PHOTOMETRIC DATA



Full Product Number Example

F434113A290

F43 Xicato LED- IP20

4 40°

1 Specular Silver

13 1300

A CRI >80 - 2 Step MacAdam

2 2700K

9 Addressable Driver

0 No Emergency