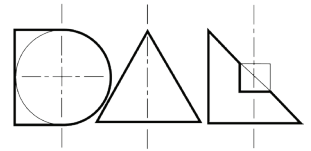


VP73 - CREE LED



VP73 FIXED Round recessed downlighter with standard white ceiling trim and a choice of deep cone reflector finish and beam distribution. The high-quality precision light controller and deep cone aluminium reflector gives visual comfort. Driver mounted remotely. The VP73 is easy to install and incorporates the latest, high efficiency LED technology.

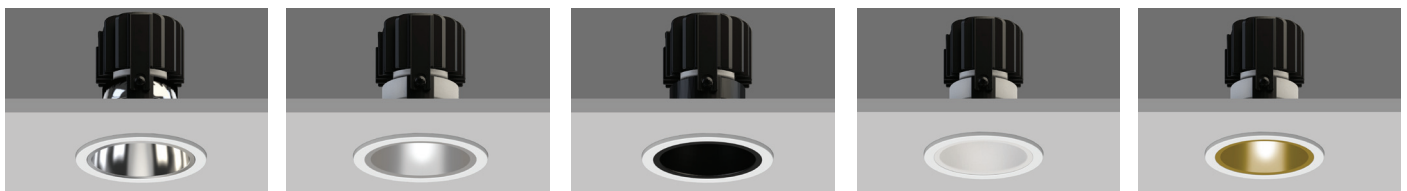
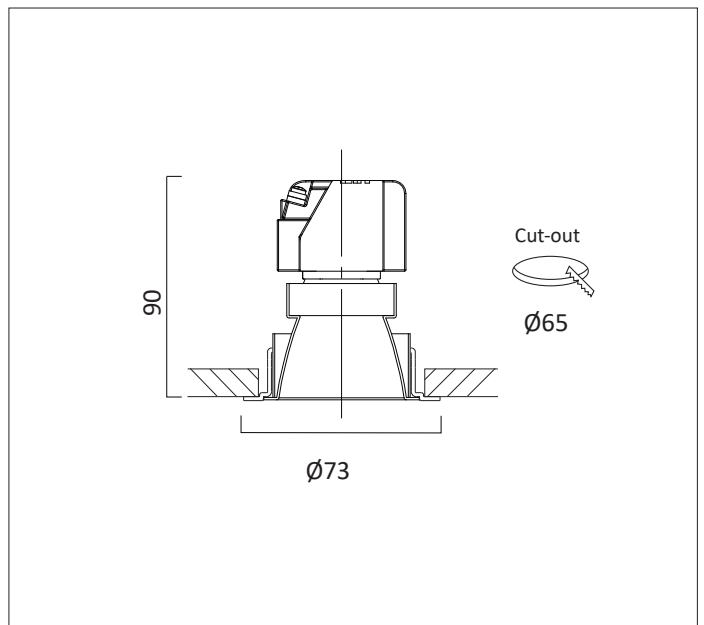
Colour consistency through life is ensured by state-of-the-art components and passive cooling aluminium heat sinks.

Standard colour temperatures: 2700K, 3000K, 4000K, colour rendering Ra >80 or Ra>90 2-3 step Macadam are all available. Life 50000 hours.

A choice of drivers provide fixed supply or dimming to project requirements. IP20 or IP44 durable, high specification die-cast construction, colour powder coat finish provides longevity.

Built to conform to the requirements of BS EN 60598-1 and IEC 598.

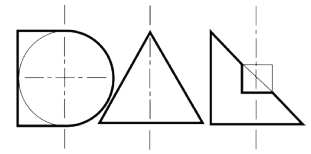
Overall diameter 73mm, cut out 65mm diameter.



	Spectro Silver	Satin Silver	Black	White	Gold
IP20					
46°	D0748	D0742	D0743	D0744	D0745
IP44					
46°	D0848	D0842	D0843	D0844	D0845

CREE LIGHT ENGINE

CXB1310 - (6mm LES)



Engine Order Code	LED Source (Lumens)	CCT	CRI	Pd (W)	VF forward	Current
09H2	950	2700K	>80	7.11W	32.3	220 mA
11H2	1105	2700K	>80	8.46W	32.5	260 mA
12H2	1255	2700K	>80	9.82W	32.7	300 mA
09H3	990	3000K	>80	7.11W	32.2	220 mA
11H3	1151	3000K	>80	8.46W	32.5	260 mA
13H3	1308	3000K	>80	9.82W	32.7	300 mA
10H5	1000	4000K	>80	7.11W	32.2	220 mA
12H5	1200	4000K	>80	8.46W	32.5	260 mA
14H5	1400	4000K	>80	9.82W	32.7	300 mA

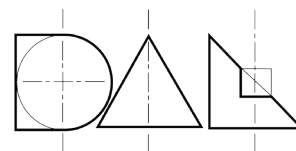
Primary Lumens Quoted via CREE Product Characterization Tool - CXB1310 Std 6r 36V
2700K 80CRI typical [1459], 3000K 80CRI typical [1520], 4000K 80CRI typical [1613].
The figures quoted use TCI (driver manufacturer) data.

Engine Order Code	LED Source (Lumens)	CCT	CRI	Pd (W)	VF forward	Current
07J2	779	2700K	>90	7.11W	32.2	220 mA
09J2	906	2700K	>90	8.46W	32.5	260 mA
10J2	1030	2700K	>90	9.82W	32.7	300 mA
08J3	826	3000K	>90	7.11W	32.2	220 mA
09J3	961	3000K	>90	8.46W	32.5	260 mA
10J3	1092	3000K	>90	9.82W	32.7	300 mA
09J5	903	4000K	>90	7.11W	32.2	220 mA
10J5	1050	4000K	>90	8.46W	32.5	260 mA
11J5	1193	4000K	>90	9.82W	32.7	300 mA

Primary Lumens Quoted via CREE Product Characterization Tool - CXB1310 Std 6r 36V
2700K 90CRI typical [1197], 3000K 90CRI typical [1269], 4000K 90CRI typical [1387].
The figures quoted use TCI (driver manufacturer) data.

Tolerance range for optical and electrical data: $\pm 10\%$.

DRIVERS & EMERGENCY



Driver
Order Code

0	FIXED
1	1-10V
3	DSI
5	DALI
7	LEAD / TRAIL

Emergency
Order Code

0	No emergency
E	3 hour maintained emergency pack
9E	with DALI Addressable with full error feed back

PHOTOMETRIC DATA

Full Product Number Example

D084812H210

D08 VP73 Fixed Cree LED- IP20

4 46°

8 Spectro Silver

12 1255 lumens

H CRI >80 - 2-3 Step MacAdam

2 2700K

1 1-10V dimming

0 No Emergency

