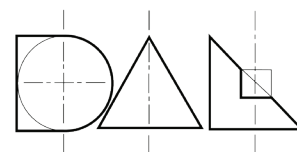


# M55 Spotlight - CREE LED



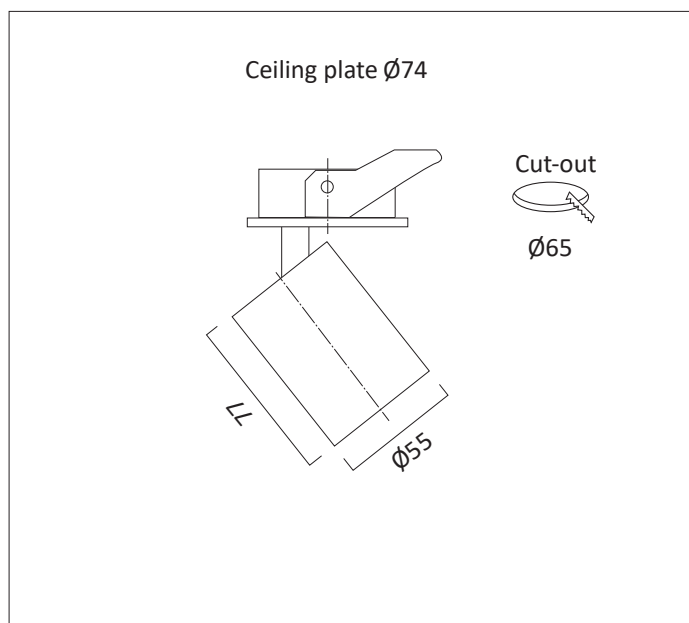
M55 adjustable LED miniature spotlight with a choice of lower reflectors finishes. Installed via a ceiling recessed mounting disk, finished white (RAL 9010 20% gloss) or black (RAL9006 30% gloss)) as standard. Designed with interchangeable optics for different beam angles and includes a media holder for lighting accessories i.e. filters, lens and honeycomb louvre. Complete with remote driver.

360° rotation and 90° tilt.

Colour consistency through life is ensured by state-of-the-art components and passive cooling aluminium heat sinks.

Standard colour temperatures: 2700K, 3000K, 4000K, colour rendering Ra >80 or Ra>90 2-3 step Macadam are all available. Built to conform to the requirements of BS EN 60598-1 and IEC 598. Photometrically tested to LM-79-08.

High specification metal construction, colour powder coat finish provides longevity. Ceiling disc cut-out diameter 65mm.



Installation and adjustment

## M55 SPOTLIGHT WHITE BODY

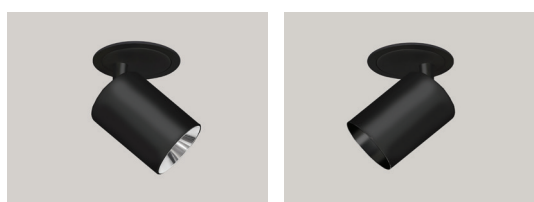
	Reflector Finish	
	Specular Silver	Specular Black
14°	<b>M9621</b>	<b>M9623</b>
28°	<b>M9631</b>	<b>M9633</b>
44°	<b>M9651</b>	<b>M9653</b>



M55 Spotlight White Body

## M55 SPOTLIGHT BLACK BODY

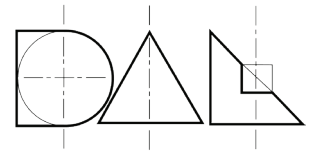
	Reflector Finish	
	Specular Silver	Specular Black
14°	<b>M9721</b>	<b>M9723</b>
28°	<b>M9731</b>	<b>M9733</b>
44°	<b>M9751</b>	<b>M9753</b>



M55 Spotlight Black Body

# CREE LIGHT ENGINE

CXB1310 - (6mm LES)



Engine Order Code	LED Source (Lumens)	CCT	CRI	Pd (W)	VF forward	Current
<b>09H2</b>	950	2700K	>80	7.11W	32.3	220 mA
<b>11H2</b>	1105	2700K	>80	8.46W	32.5	260 mA
<b>12H2</b>	1255	2700K	>80	9.82W	32.7	300 mA
<b>09H3</b>	990	3000K	>80	7.11W	32.2	220 mA
<b>11H3</b>	1151	3000K	>80	8.46W	32.5	260 mA
<b>13H3</b>	1308	3000K	>80	9.82W	32.7	300 mA
<b>10H5</b>	1000	4000K	>80	7.11W	32.2	220 mA
<b>12H5</b>	1200	4000K	>80	8.46W	32.5	260 mA
<b>14H5</b>	1400	4000K	>80	9.82W	32.7	300 mA

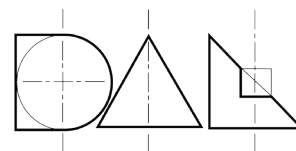
Primary Lumens Quoted via CREE Product Characterization Tool - CXB1310 Std 6r 36V  
2700K 80CRI typical [1459], 3000K 80CRI typical [1520], 4000K 80CRI typical [1613].  
The figures quoted use TCI (driver manufacturer) data.

Engine Order Code	LED Source (Lumens)	CCT	CRI	Pd (W)	VF forward	Current
<b>07J2</b>	779	2700K	>90	7.11W	32.2	220 mA
<b>09J2</b>	906	2700K	>90	8.46W	32.5	260 mA
<b>10J2</b>	1030	2700K	>90	9.82W	32.7	300 mA
<b>08J3</b>	826	3000K	>90	7.11W	32.2	220 mA
<b>09J3</b>	961	3000K	>90	8.46W	32.5	260 mA
<b>10J3</b>	1092	3000K	>90	9.82W	32.7	300 mA
<b>09J5</b>	903	4000K	>90	7.11W	32.2	220 mA
<b>10J5</b>	1050	4000K	>90	8.46W	32.5	260 mA
<b>11J5</b>	1193	4000K	>90	9.82W	32.7	300 mA

Primary Lumens Quoted via CREE Product Characterization Tool - CXB1310 Std 6r 36V  
2700K 90CRI typical [1197], 3000K 90CRI typical [1269], 4000K 90CRI typical [1387].  
The figures quoted use TCI (driver manufacturer) data.

Tolerance range for optical and electrical data:  $\pm 10\%$ .

# DRIVERS & EMERGENCY



## Driver Order Code

<b>0</b>	FIXED
<b>1</b>	1-10V
<b>3</b>	DSI
<b>5</b>	DALI
<b>7</b>	LEAD / TRAIL
<b>9</b>	DALI ADDRESSABLE- for emergency

## Emergency Order Code

<b>0</b>	No emergency
<b>E</b>	3 hour maintained emergency pack (For DALI - includes ADDRESSABLE full error feed back)

## PHOTOMETRIC DATA - to come

Full Product Number Example

**M965111H250**

**M96** CREE LED White Body

**5** 44°

**1** Specular Silver reflector

**11** 1105 lumens

**H** CRI >80 - 2 Step MacAdam

**2** 2700K

**5** DALI Driver

**0** No Emergency

Please contact us if accessories are needed.

Note

BODY FINISHES

White RAL 9010 20% Gloss (DAL ref X006)

Black RAL 9006 30% Gloss (DAL ref X009)

REFLECTOR FINISHES

Specular Silver (DAL ref X060)

Specular Black (DAL ref X240)