

M55 Spotlight - CREE LED



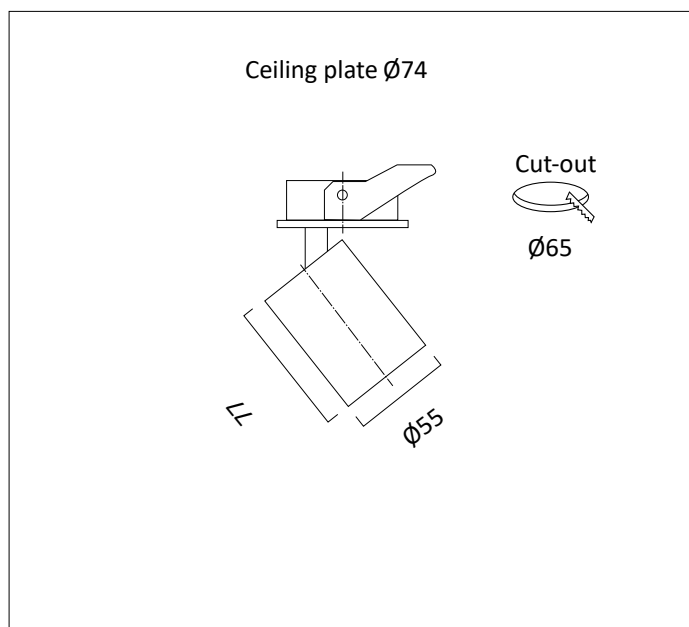
M55 adjustable LED miniature spotlight with a choice of lower reflectors finishes. Installed via a ceiling recessed mounting disk, finished white (RAL 9010 20% gloss) or black (RAL9006 30% gloss)) as standard. Designed with interchangeable optics for different beam angles and includes a media holder for lighting accessories i.e. filters, lens and honeycomb louvre. Complete with remote driver.

360° rotation and 90° tilt.

Colour consistency through life is ensured by state-of-the-art components and passive cooling aluminium heat sinks.

Standard colour temperatures: 2700K, 3000K, 4000K, colour rendering Ra >80 or Ra>90 2-3 step Macadam are all available. Built to conform to the requirements of BS EN 60598-1 and IEC 598. Photometrically tested to LM-79-08.

High specification metal construction, colour powder coat finish provides longevity. Ceiling disc cut-out diameter 65mm.



Installation and adjustment

M55 SPOTLIGHT WHITE BODY

	Reflector Finish	
	Specular Silver	Specular Black
14°	M9621	M9623
28°	M9631	M9633
44°	M9651	M9653



M55 Spotlight White Body

M55 SPOTLIGHT BLACK BODY

	Reflector Finish	
	Specular Silver	Specular Black
14°	M9721	M9723
28°	M9731	M9733
44°	M9751	M9753



M55 Spotlight Black Body

CREE LIGHT ENGINE

CXB1310 - (6mm LES)



Engine Order Code	LED Source (Lumens)	CCT	CRI	Pd (W)	VF forward	Current
09H2	950	2700K	>80	7.11W	32.3	220 mA
11H2	1105	2700K	>80	8.46W	32.5	260 mA
12H2	1255	2700K	>80	9.82W	32.7	300 mA
09H3	990	3000K	>80	7.11W	32.2	220 mA
11H3	1151	3000K	>80	8.46W	32.5	260 mA
13H3	1308	3000K	>80	9.82W	32.7	300 mA
10H5	1000	4000K	>80	7.11W	32.2	220 mA
12H5	1200	4000K	>80	8.46W	32.5	260 mA
14H5	1400	4000K	>80	9.82W	32.7	300 mA

Primary Lumens Quoted via CREE Product Characterization Tool - CXB1310 Std 6r 36V
2700K 80CRI typical [1459], 3000K 80CRI typical [1520], 4000K 80CRI typical [1613].
The figures quoted use TCI (driver manufacturer) data.

Engine Order Code	LED Source (Lumens)	CCT	CRI	Pd (W)	VF forward	Current
07J2	779	2700K	>90	7.11W	32.2	220 mA
09J2	906	2700K	>90	8.46W	32.5	260 mA
10J2	1030	2700K	>90	9.82W	32.7	300 mA
08J3	826	3000K	>90	7.11W	32.2	220 mA
09J3	961	3000K	>90	8.46W	32.5	260 mA
10J3	1092	3000K	>90	9.82W	32.7	300 mA
09J5	903	4000K	>90	7.11W	32.2	220 mA
10J5	1050	4000K	>90	8.46W	32.5	260 mA
11J5	1193	4000K	>90	9.82W	32.7	300 mA

Primary Lumens Quoted via CREE Product Characterization Tool - CXB1310 Std 6r 36V
2700K 90CRI typical [1197], 3000K 90CRI typical [1269], 4000K 90CRI typical [1387].
The figures quoted use TCI (driver manufacturer) data.

Tolerance range for optical and electrical data: ±10 %.

DRIVERS & EMERGENCY



Driver Order Code

0	FIXED
1	1-10V
3	DSI
5	DALI
7	LEAD / TRAIL
9	DALI ADDRESSABLE- for emergency

Emergency Order Code

0	No emergency
E	3 hour maintained emergency pack (For DALI - includes ADDRESSABLE full error feed back)

PHOTOMETRIC DATA - to come

Full Product Number Example

M965111H250

M96 M55 Spotlight White Body

5	44°
1	Specular Silver reflector
11	1105 lumens
H	CREE LED CRI >80 - 2 Step MacAdam
2	2700K
5	DALI Driver
0	No Emergency

Please contact us if accessories are needed.

Note

BODY FINISHES

White RAL 9010 20% Gloss (DAL ref X006)

Black RAL 9006 30% Gloss (DAL ref X009)

REFLECTOR FINISHES

Specular Silver (DAL ref X060)

Specular Black (DAL ref X240)