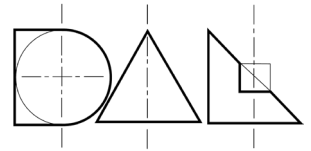
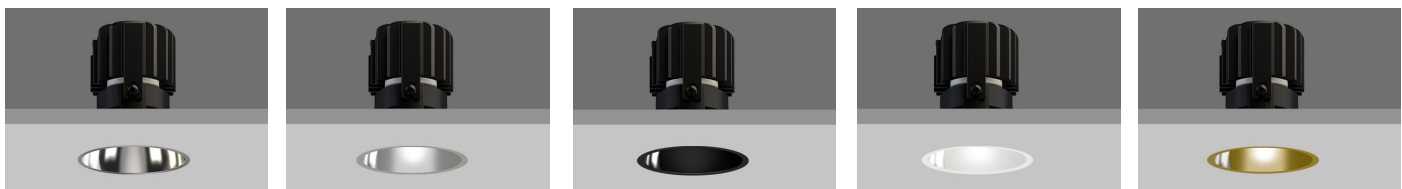
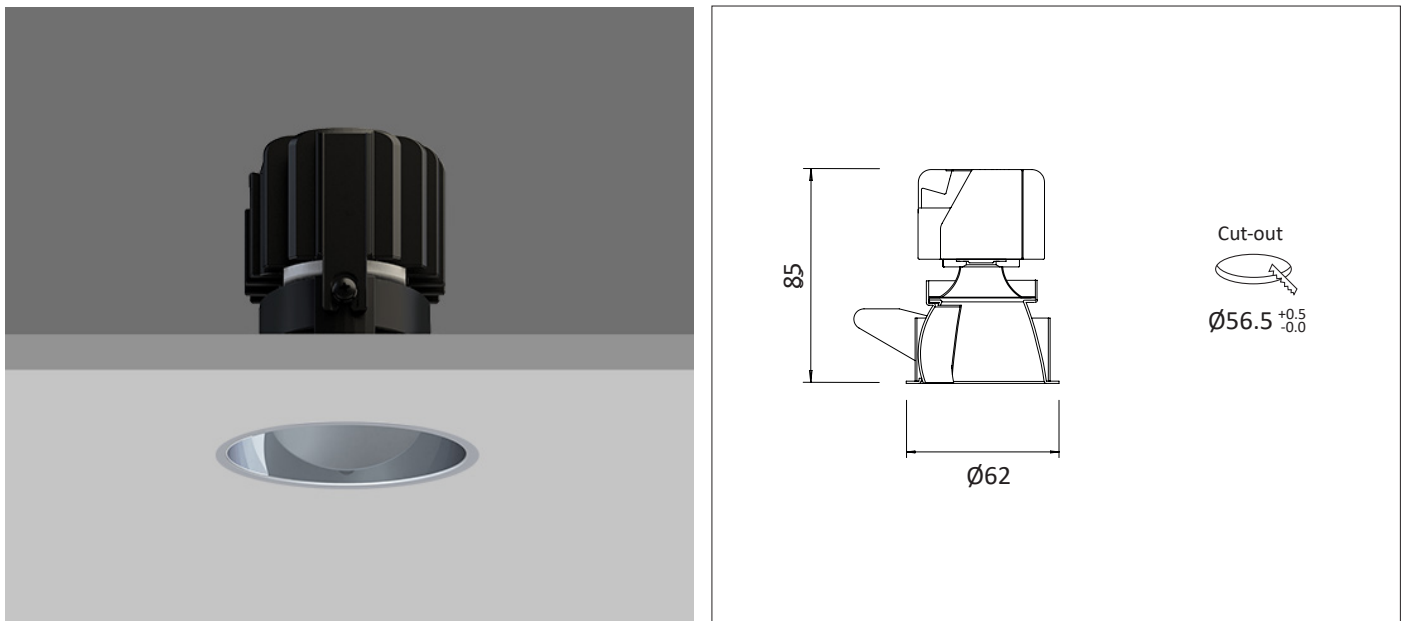


MINITRIM 62 WALLWASHER - CREE LED



MINITRIM 62 FIXED WALLWASHER Round recessed, kick reflector, with no separate ceiling trim. The high-quality precision light controller with lens plus deep cone aluminium reflector gives visual comfort. Kick reflector wallwashing re-directs light up the wall or vertical surface. The MINITRIM 62 Wallwasher is easy to install and incorporates the latest, high efficiency LED technology. Colour consistency through life is ensured by state-of-the-art components and passive cooling aluminium heat sinks. Standard colour temperatures: 2700K, 3000K, 4000K, colour rendering Ra >80 and >90 2-3 step Macadam are all available. Life 50000 hours. A choice of drivers provide fixed supply or dimming to project requirements. IP20, high specification diecast construction, colour powder coat finish provides longevity. Built to conform to the requirements of BS EN 60598-1 and IEC 598. The MINITRIM 62 spring mechanism makes installation easy. Photometrically tested to LM-79-08 confirms MINITRIMs high performance.



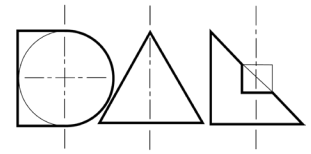
Spectro Silver Specular Silver Satin Silver Black White Gold

IP20

Asymmetric	F8808	F8801	F8802	F8803	F8804	F8805
------------	--------------	--------------	--------------	--------------	--------------	--------------

CREE LIGHT ENGINE

CXB1310 - (6mm LES)



Engine Order Code	LED Source (Lumens)	CCT	CRI	Pd (W)	VF forward	Current
09H2	950	2700K	>80	7.11W	32.3	220 mA
11H2	1105	2700K	>80	8.46W	32.5	260 mA
12H2	1255	2700K	>80	9.82W	32.7	300 mA
09H3	990	3000K	>80	7.11W	32.2	220 mA
11H3	1151	3000K	>80	8.46W	32.5	260 mA
13H3	1308	3000K	>80	9.82W	32.7	300 mA
10H5	1000	4000K	>80	7.11W	32.2	220 mA
12H5	1200	4000K	>80	8.46W	32.5	260 mA
14H5	1400	4000K	>80	9.82W	32.7	300 mA

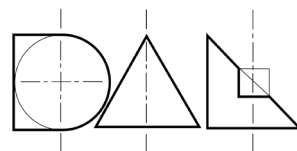
Primary Lumens Quoted via CREE Product Characterization Tool - CXB1310 Std 6r 36V
 2700K 80CRI typical [1459], 3000K 80CRI typical [1520], 4000K 80CRI typical [1613].
 The figures quoted use TCI (driver manufacturer) data.

Engine Order Code	LED Source (Lumens)	CCT	CRI	Pd (W)	VF forward	Current
07J2	779	2700K	>90	7.11W	32.2	220 mA
09J2	906	2700K	>90	8.46W	32.5	260 mA
10J2	1030	2700K	>90	9.82W	32.7	300 mA
08J3	826	3000K	>90	7.11W	32.2	220 mA
09J3	961	3000K	>90	8.46W	32.5	260 mA
10J3	1092	3000K	>90	9.82W	32.7	300 mA
09J5	903	4000K	>90	7.11W	32.2	220 mA
10J5	1050	4000K	>90	8.46W	32.5	260 mA
11J5	1193	4000K	>90	9.82W	32.7	300 mA

Primary Lumens Quoted via CREE Product Characterization Tool - CXB1310 Std 6r 36V
 2700K 90CRI typical [1197], 3000K 90CRI typical [1269], 4000K 90CRI typical [1387].
 The figures quoted use TCI (driver manufacturer) data.

Tolerance range for optical and electrical data: ±10 %.

DRIVERS & EMERGENCY



Driver Order Code	Lumens
0	FIXED
1	1-10V
3	DSI
5	DALI
7	LEAD / TRAIL

Emergency Order Code	
0	No emergency
E	3 hour maintained emergency pack
9E	with DALI Addressable with full error feed back

PHOTOMETRIC DATA

Full Product Number Example

F860113F290

F86 Minitrim 62 Wallwasher Citizen LED - IP20

0	Asymmetric
8	Spectro Silver
13	1300
F	CRI >80 - 3 Step MacAdam
2	2700K
9	Addressable
0	No Emergency

