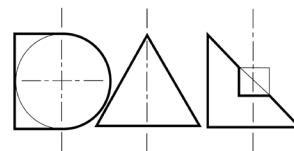
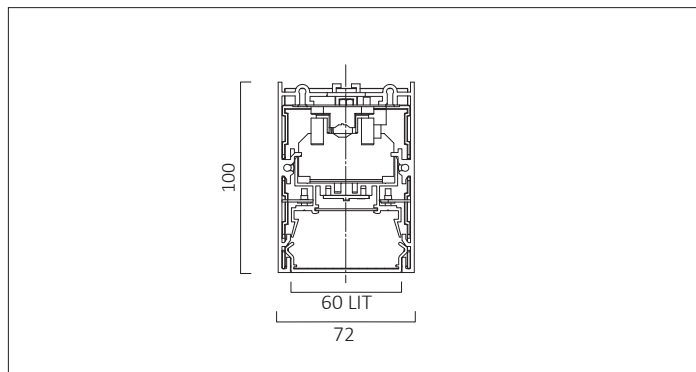
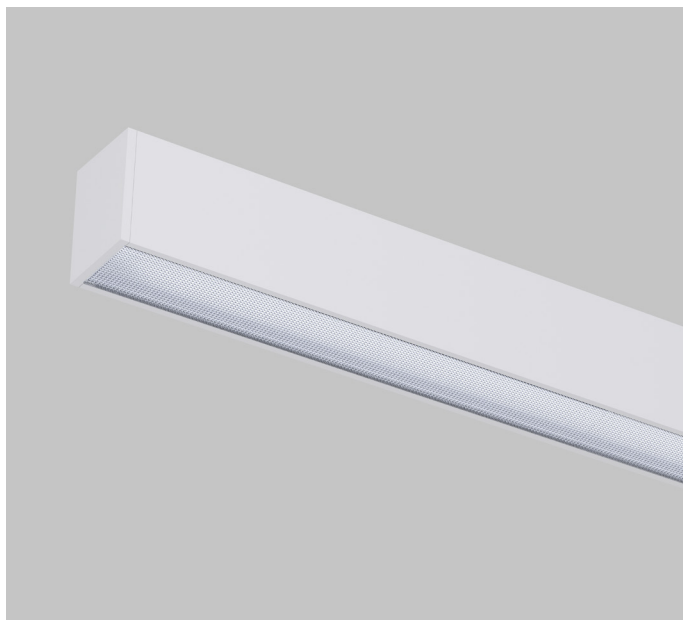


# LIGHTLINE LED 60 MICROPRISM - High Efficiency

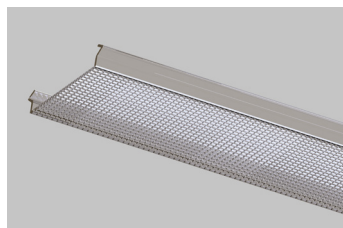
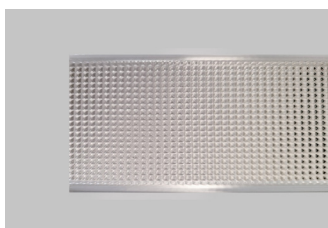


LIGHTLINE LED 60 can be surface mounted or suspended from the ceiling. It consists of an aluminium extruded profile constructed as individual modules in various chassis lengths, which come complete with integral driver. Optical control is provided by a clip in microprismatic diffuser. Finish in RAL 9010 as standard.

High Efficient LED. Small tolerance of MacAdam 3. Long life 72,000 hours.



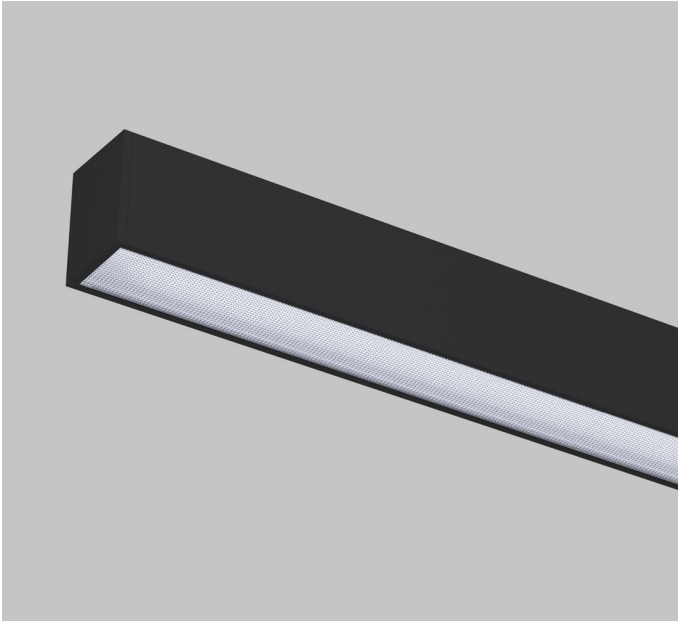
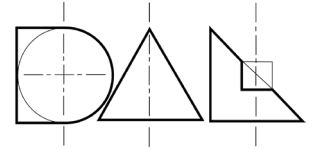
Construction	Aluminium / Steel / Plastic
Diffuser	Microprism
Finish	White RAL 9010 (20% Gloss)
IP	IP40
Control	Fixed, DALI or 1-10V



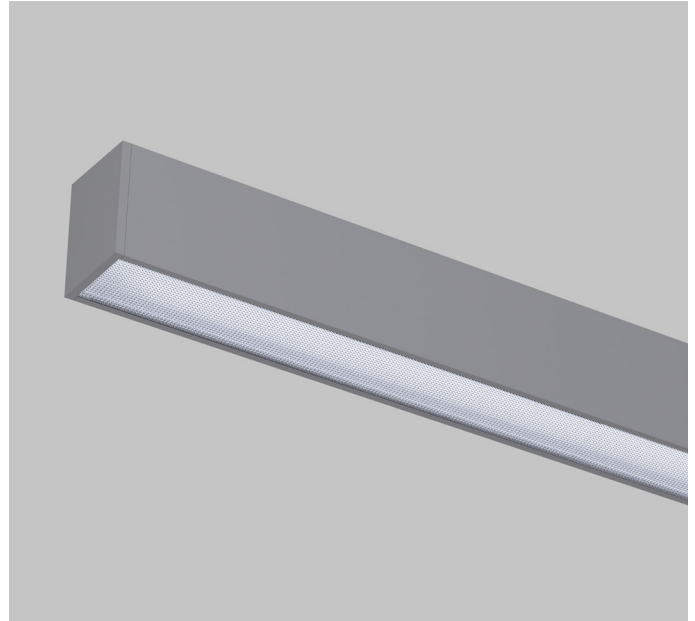
Product No	Length (mm)	Colour Temp	CRI	Source (Lm)	Wattage (W)	Current (mA)	System Efficacy (Lm/W)	Luminaire Efficacy (LLm/W)
<b>M8202</b>	580	3000K	>80	2260	13.2	300	162	105
<b>M8203</b>	860	3000K	>80	3390	19.8	300	162	105
<b>M8204</b>	1140	3000K	>80	4520	26.4	300	162	105
<b>M8205</b>	1420	3000K	>80	5650	33.0	300	162	105
<b>M8206</b>	1700	3000K	>80	6780	39.6	300	162	105
<b>M8302</b>	580	4000K	>80	2340	13.2	300	170	110
<b>M8303</b>	860	4000K	>80	3510	19.8	300	170	110
<b>M8304</b>	1140	4000K	>80	4680	26.4	300	170	110
<b>M8305</b>	1420	4000K	>80	5850	33.0	300	170	110
<b>M8306</b>	1700	4000K	>80	7020	39.6	300	170	110

Other outputs, 2700K / 3500K colour temperatures and CRI 90 are also available.  
Tolerance range for optical and electrical data:  $\pm 10\%$ .

## STANDARD FINISH



X009- Black RAL 9005 (30% Gloss).



X159 - Metallic Silver,

## DRIVERS & EMERGENCY

Driver  
Order Code

<b>0</b>	FIXED
<b>1</b>	1-10V
<b>5</b>	DALI
<b>7</b>	LEAD / TRAIL

Emergency  
Order Code

<b>0</b>	No emergency
<b>E</b>	3 hour maintained emergency pack
<b>9E</b>	with DALI Addressable with full error feed back

## CODING

Full Product Number Example

**M8000/1980/5/E**

**M8000** - 3000K, CRI >80

**1980** - 1980mm (Length)

**5** - DALI Dimmable

**E** - Emergency

Continuous Length- High Efficiency

M8000 Series- 3000K

M8100 Series- 4000K

Please contact us for further information. As a guide use multiple of 280mm plus 20mm for tolerance and end caps.