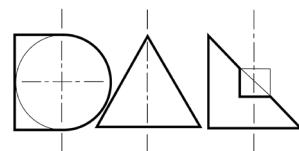


# MINITRIM 62 DIRECTIONAL - CREE LED



MINITRIM 62 DIRECTIONAL Round recessed downlighter with no separate ceiling trim and a choice of deep cone reflector finish and beam distribution. The high-quality precision light controller with lens plus deep cone aluminium reflector gives visual comfort. The integral shield prevents views into the ceiling cavity and light leak when the lamp is angled.

The MINITRIM 62 DIRECTIONAL is easy to install and incorporates the latest, high efficiency LED technology.

Colour consistency through life is ensured by state-of-the-art components and passive cooling aluminium heat sinks.

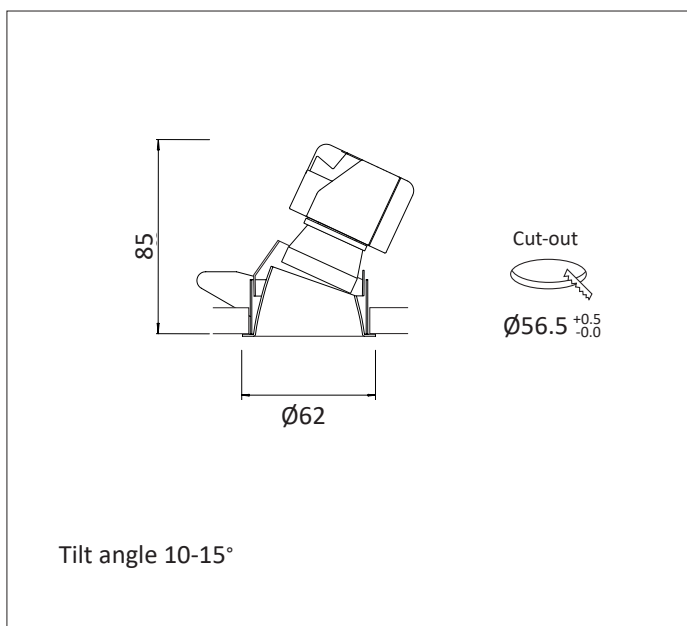
Standard colour temperatures: 2700K, 3000K, 3500K, 4000K, colour rendering Ra >80 and >90 2-3 step Macadam are all available.

Life 50000 hours. A choice of drivers provide fixed supply or dimming to project requirements. IP20 durable, high

specification diecast construction, colour powder coat finish provides longevity.

Built to conform to the requirements of BS EN 60598-1 and IEC 598. The MINITRIM 62 spring mechanism makes installation easy.

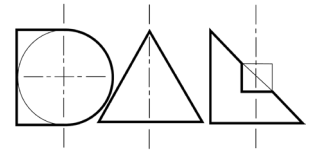
Photometrically tested to LM-79-08 confirms MINITRIMs high performance.



	Spectro Silver	Specular Silver	Satin Silver	Black	White	Gold
IP20						
16°	<b>F9028</b>	<b>F9021</b>	<b>F9022</b>	<b>F9023</b>	<b>F9024</b>	<b>F9025</b>
32°	<b>F9048</b>	<b>F9041</b>	<b>F9042</b>	<b>F9043</b>	<b>F9044</b>	<b>F9045</b>
46°	<b>F9058</b>	<b>F9051</b>	<b>F9052</b>	<b>F9053</b>	<b>F9054</b>	<b>F9055</b>

# CREE LIGHT ENGINE

CXB1310 - (6mm LES)



Engine Order Code	LED Source Initial Lumens	16° Delivered Lumens	32° Delivered Lumens	46° Delivered Lumens	CCT	CRI	Pd (W)	VF forward	Current
<b>08J2</b>	868	520	737	677	2700K	90	7.3W	33.6V	220 mA
<b>10J2</b>	1009	605	857	787	2700K	90	8.8W	32.8V	260 mA
<b>11J2</b>	1146	687	974	893	2700K	90	10.2W	34.0V	300 mA
<b>09J3</b>	920	552	782	717	3000K	90	7.3W	33.6V	220 mA
<b>10J3</b>	1069	641	908	833	3000K	90	8.8W	32.8V	260 mA
<b>12J3</b>	1215	729	1032	947	3000K	90	10.2W	34.0V	300 mA
<b>09J4</b>	966	579	821	753	3500K	90	7.3W	33.6V	220 mA
<b>11J4</b>	1123	673	954	875	3500K	90	8.8W	32.8V	260 mA
<b>12J4</b>	1277	766	1085	957	3500K	90	10.2W	34.0V	300 mA
<b>10J5</b>	1005	603	854	783	4000K	90	7.3W	33.6V	220 mA
<b>11J5</b>	1169	701	993	911	4000K	90	8.8W	32.8V	260 mA
<b>13J5</b>	1328	796	1128	1035	4000K	90	10.2W	34.0V	300 mA

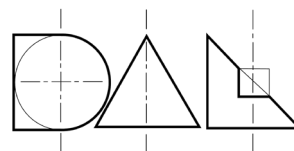
Primary Lumens Quoted via CREE Product Characterization Tool - CXB1310 Std 6r 36V

2700K 90CRI typical [1197], 3000K 90CRI typical [1269], 4000K 90CRI typical [1387].

The figures quoted use TCI (driver manufacturer) data. All performance shown with Black Reflector.

Tolerance range for optical and electrical data:  $\pm 10\%$ .

# DRIVERS & EMERGENCY



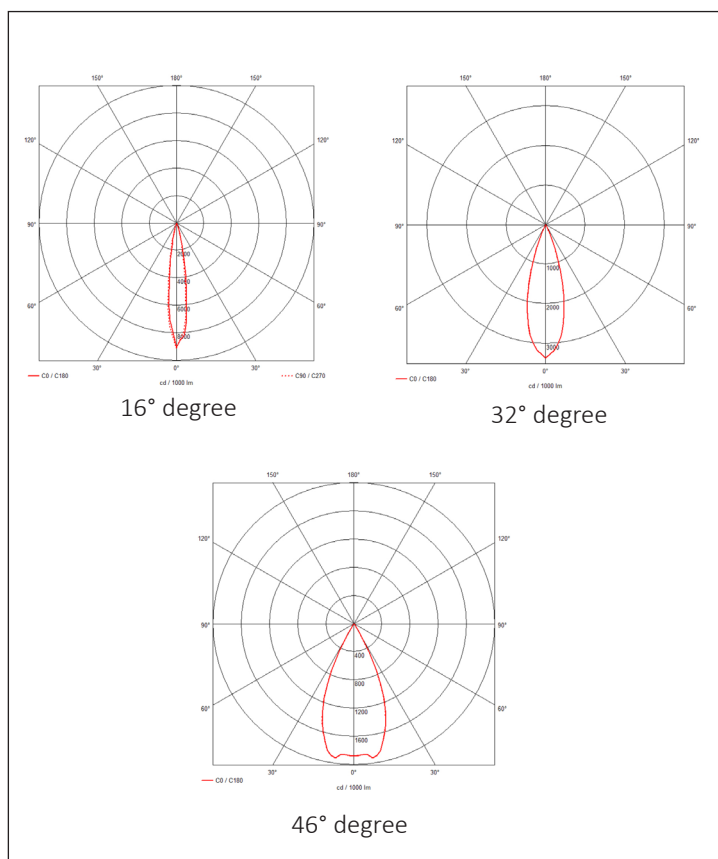
## Driver Order Code

<b>0</b>	FIXED
<b>1</b>	1-10V
<b>3</b>	DSI
<b>5</b>	DALI
<b>7</b>	LEAD / TRAIL
<b>9</b>	ADDRESSABLE

## Emergency Order Code

<b>0</b>	No emergency
<b>E</b>	3 hour maintained emergency pack
<b>9E</b>	with DALI Addressable with full error feed back

# PHOTOMETRIC DATA



## Full Product Number Example

### F863113J550

<b>F86</b>	Minitrim 62 Fixed LED- IP20
<b>5</b>	32°
<b>7</b>	Specular
<b>11</b>	1169 Source LED Lumens (Initial)
<b>J</b>	CRI >90 - 3 Step MacAdam
<b>5</b>	4000K
<b>5</b>	DALI Dimmable
<b>0</b>	No Emergency