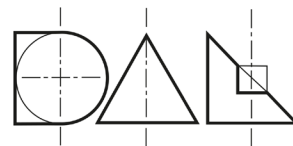
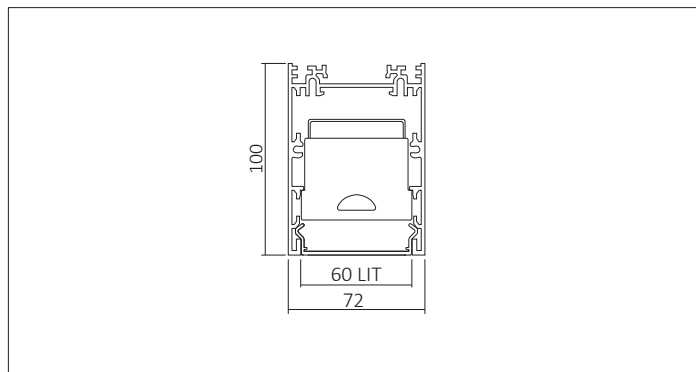
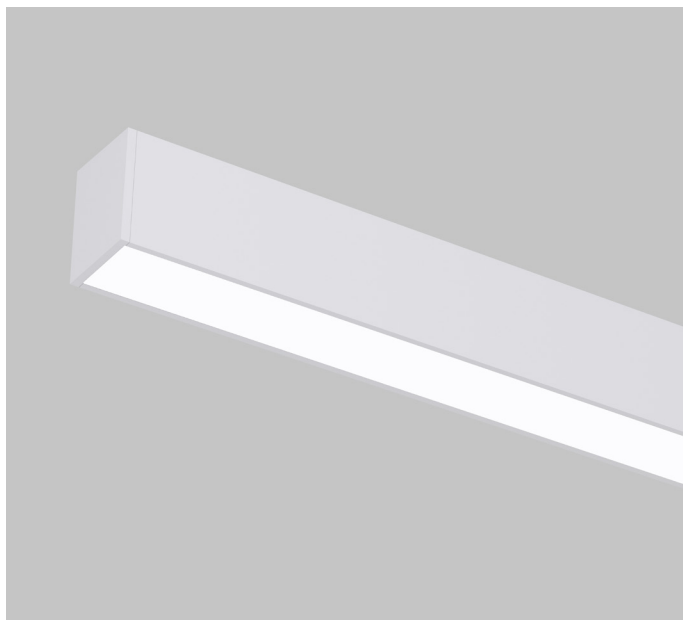


LIGHTLINE LED 60 - IP54 - High Efficiency



LIGHTLINE LED 60 - IP54 can be surface mounted or suspended from the ceiling. It consists of an aluminium extruded profile constructed as individual modules, which come complete with integral driver. Optical control is provided by a clip in diffused opal diffuser. Finish in white RAL 9010 as standard.

High Efficient LED. Small tolerance of MacAdam 3. Long life 72,000 hours.



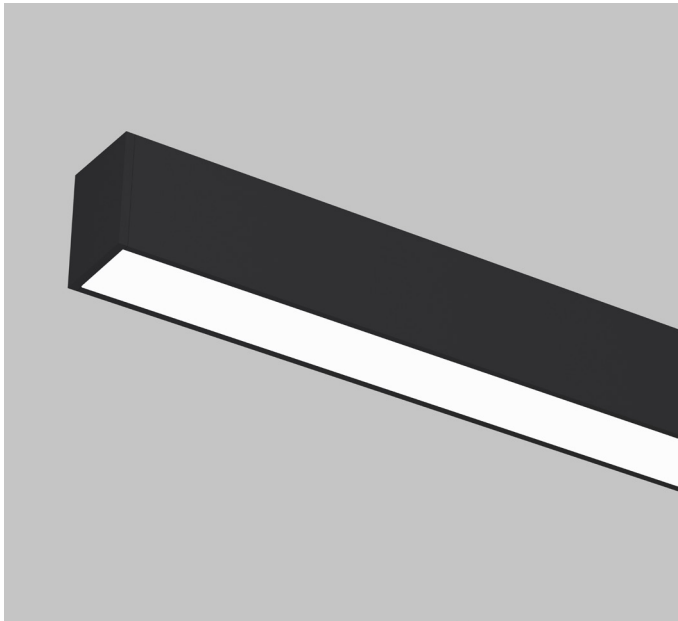
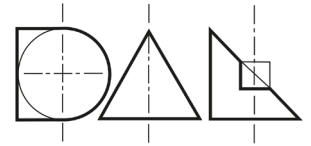
Construction	Aluminium / Steel / Plastic
Diffuser	Opal Diffuser
Finish	White RAL 9010 (20% Gloss)
IP	IP54
Control	Fixed, DALI or 1-10V

Product No	Length (mm)	Colour Temp	CRI	Source (Lm)	Wattage (W)	Current (mA)	System Efficacy (Lm/W)	Luminaire Efficacy (LLm/W)
N2102	580	3000K	80+	1170	7.2	300	162	105
N2103	860	3000K	80+	1755	10.8	300	162	105
N2104	1140	3000K	80+	2340	14.4	300	162	105
N2105	1420	3000K	80+	2925	18.0	300	162	105
N2106	1700	3000K	80+	3510	21.6	300	162	105
N2202	580	4000K	80+	1220	7.2	300	170	110
N2203	860	4000K	80+	1830	10.8	300	170	110
N2204	1140	4000K	80+	2440	14.4	300	170	110
N2205	1420	4000K	80+	3050	18.0	300	170	110
N2206	1700	4000K	80+	3660	21.6	300	170	110

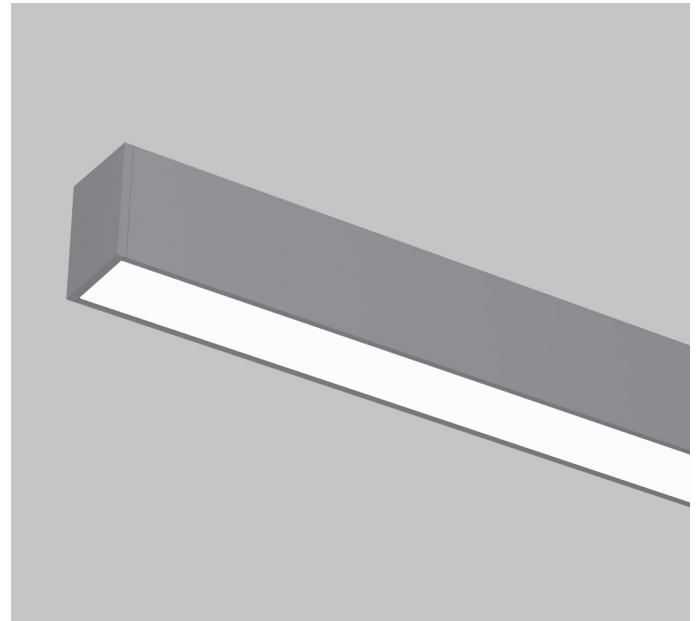
Other finishes: X159 - Metallic Silver, X009- Black RAL 9005 (30% Gloss).

Other outputs, 2700K / 3500K colour temperatures and CRI 90 are also available.
Tolerance range for optical and electrical data: $\pm 10\%$.

STANDARD FINISH



X009- Black RAL 9005 (30% Gloss).



X159 - Metallic Silver,

DRIVERS & EMERGENCY

Driver
Order Code

0	FIXED
1	1-10V
5	DALI
7	LEAD / TRAIL

Emergency
Order Code

0	No emergency
E	3 hour maintained emergency pack
9E	with DALI Addressable with full error feed back