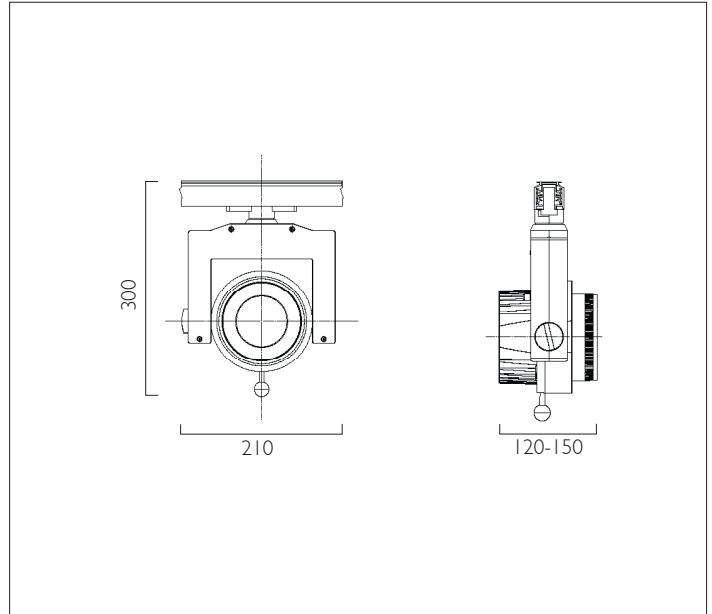


BALTIC X



Baltic X adjustable LED spotlight with Xicato Artist LED light engine, interchangeable reflectors, integral 1-10v dimmable driver, and finished white (RAL 9010). Suitable for track mounting, universal 3 circuit type adaptor comes as standard. Baltic X is designed for Xicato Artist modules

- White finish RAL 9010 20% gloss.
- On board dimmer
- 2000 lumens, Xicato Artist light engine, Ra95+ 2700- 4000K, 20W
- Integral 1-10V Driver (zero flicker).

Accessories:-


- D5400 Narrow reflector (12°)
- D5500 Medium reflector (24°)
- D5600 Wide reflector (42°)
- D5700 Flood reflector (67°)
- D5800 Washer reflector (80°)


- D5900 Elongation Lens Assembly (69°x24° / 80°x42° / 89°x53°)
- D3700 Barn door

Product Number	Lamp Type
D150020B210*045	Xicato Artist LED- 2000 lumens, 2700K, Ra95+, 20W
D150020B310*045	Xicato Artist LED- 2000 lumens, 3000K, Ra95+, 20W
D150020B410*045	Xicato Artist LED- 2000 lumens, 3500K, Ra95+, 20W
D150020B510*045	Xicato Artist LED- 2000 lumens, 4000K, Ra95+, 20W

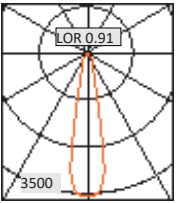
BALTIC Distributions

Reflector holder Type A






Medium
XTM LED - D5500

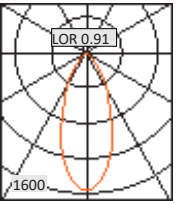


Lux/Klms		
1m	0.42	3393
2m	0.84	848
3m	1.27	377
4m	1.69	212

Intensity values in cds per 1,000 lumens.
24° Beam diameter to 50% of E max




Wide
XTM LED - D5600

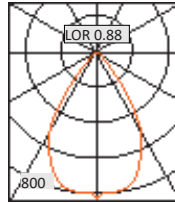


Lux/Klms		
1m	0.76	1557
2m	1.53	389
3m	2.29	173
4m	3.06	97

Intensity values in cds per 1,000 lumens.
42° Beam diameter to 50% of E max



Flood
XTM LED - D5700



Lux/Klms		
1m	1.32	834
2m	2.64	417
3m	3.96	92
4m	5.28	52

Intensity values in cds per 1,000 lumens.
67° Beam diameter to 50% of E max

Reflector holder Type B complete with reflector




Narrow
XTM LED - D5400



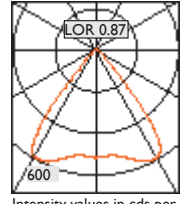
Lux/Klms		
1m	1.88	5584
2m	2.07	1396
3m	2.76	620
4m	3.45	349

Intensity values in cds per 1,000 lumens.
10° Beam diameter to 50% of E max

Reflector holder Type C complete with reflector



Washer
XTM LED - D5800




Lux/Klms		
1m	0.72	520
2m	1.45	260
3m	2.17	57
4m	2.90	32

Intensity values in cds per 1,000 lumens.
80° Beam diameter to 50% of E max



Attachments
Barn Doors D3700 - only suitable for reflector holder Type A



Elongation Assembly D5900

Distributions:-
69°x24° - (D5900 with D5500)
80°x42° - (D5900 with D5600)
89°x53° - (D5900 with D5600)