



G-LINE OPAL TUBE

G-LINE with 60mm diameter opal tube is track a mounted luminaire with high range of adjustability to providing flexibility to several lighting solution. The on-board dimmer can provide accent lighting, perfect to create an atmosphere and enhance objects. The high output LED is perfect for general lighting giving a larger sense of space to the environment. Of extruded aluminum and steel construction finished in white RAL 9010 or black RAL 9005. The high-quality and efficient opal diffuser which provides a uniform distribution. The G-LINE OPAL s easy to install and incorporates the latest, high efficiency LED technology. Colour consistency through life is ensured by state-of-the-art components and passive cooling aluminum heat sinks.

Available in single colour temperature or with a colour switch 3000K / 4000K as standard, perfect for a gallery and exhibitions. Colour rendering Ra 90+, 3 step Macadam. Long life of 50,000 hours. On board dimmer smooth 1-100% dimmer. IP20 construction. Built to conform to the requirements of BS EN 60598-1 and IEC 598. Photometrically tested to LM-79-08 confirms the high performance.

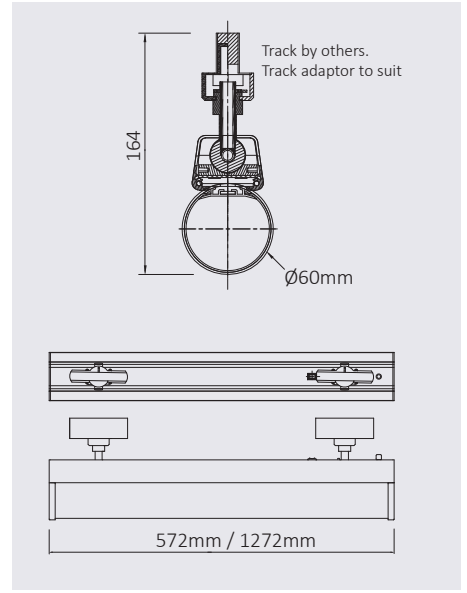


Built in rotary dimmer



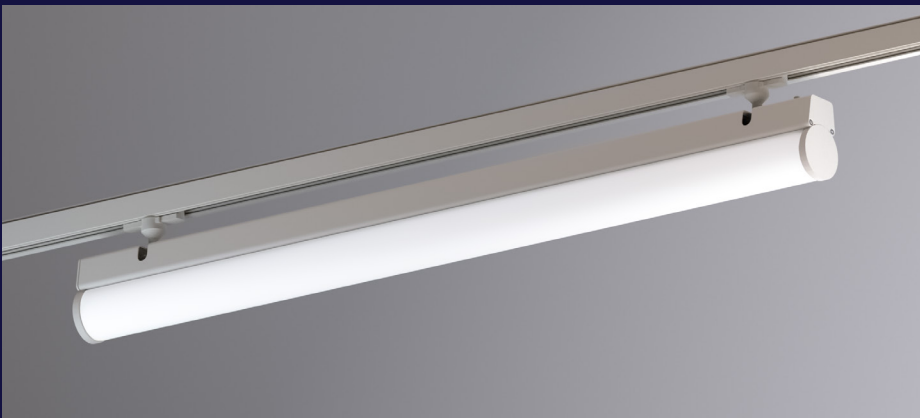
Switchable 3000K or 4000K





Diffuser Distribution	Finish	Length (mm)	Colour Switch CCT	CRI	Typical Lumens (Initial)
GL572 / W	White RAL 9010	572mm	3000K / 4000K	90+	3000 lms
GL572 / B	Black RAL 9005	572mm	3000K / 4000K	90+	3000 lms
GL1272 / W	White RAL 9010	1272mm	3000K / 4000K	90+	5000 lms
GL1272 / B	Black RAL 9005	1272mm	3000K / 4000K	90+	5000 lms

Light Source:	High quality LEDs	Standard Finish:	White RAL 9010 / Black 9005
Colour Rendering:	Excellent CRI 90+ (other CRI available on request).	Optical Performance:	Tubular opal diffuser with even distribution and appearance.
Colour Temp:	Colour Switch 3000K/4000K	Construction:	IP20 (dry interior use).
Longevity (min):	50,000 hrs L80.	Standard Mounting:	3 Circuit Eutrac adaptors (as standard).
Light Control:	Smooth dimming down to 5% is achieved by a rotary control.	Electrical Supply:	230-240V, 50/60Hz
Construction:	Extruded aluminium construction.		



Available in two lengths 572mm / 1272mm.