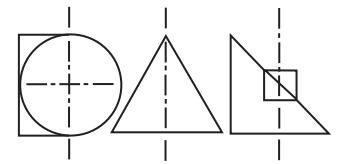
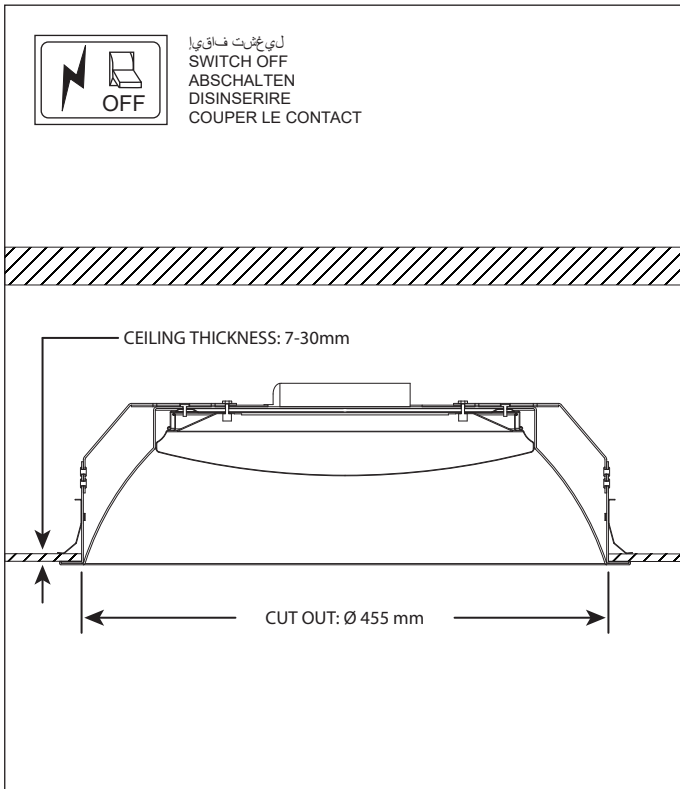


495MM DOWNLIGHT INSTALLATION PROCEDURE

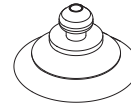


PRODUCT NUMBER: A7627
ALL LED PRODUCTS REQUIRE THE USE OF A SUITABLE RATED DRIVER (SUPPLIED)

IP20 220-240V~50/60 HZ



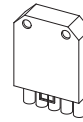
ACCESSORIES



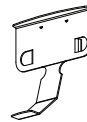
ACC1: Suction cup x1



ACC2: Thumb screw x4

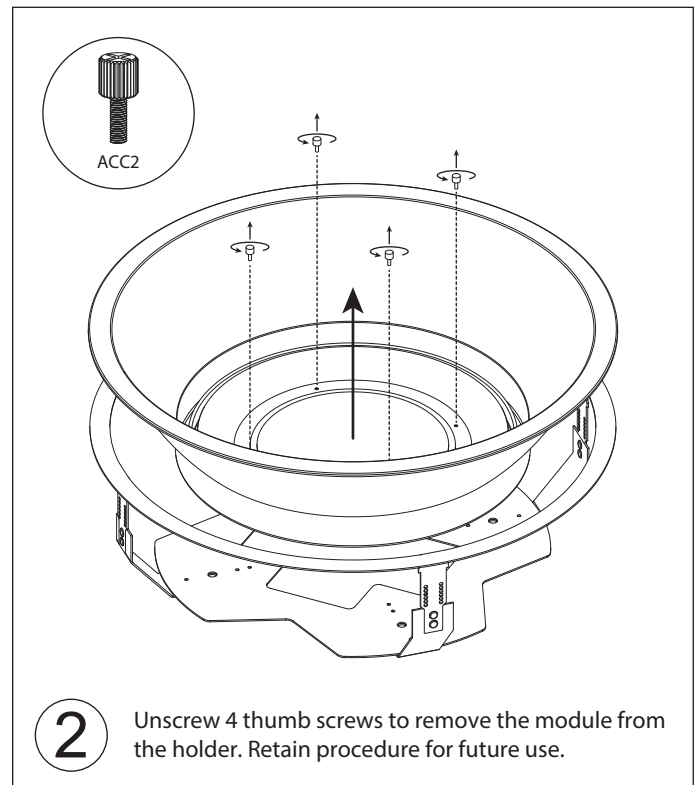
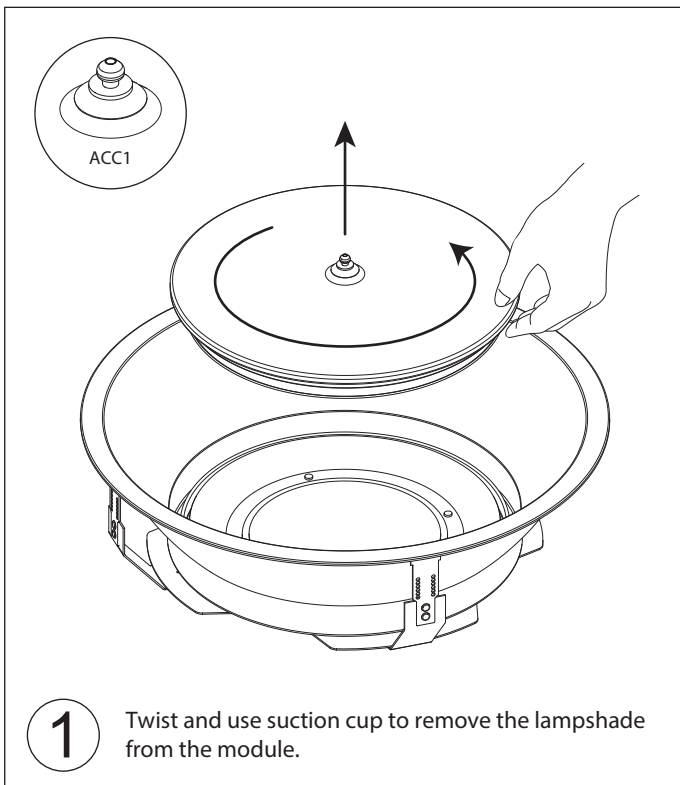


ACC3: Main wire connector x1
(installed on the driver wire while shipping)

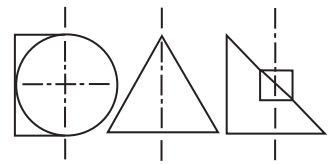


ACC4: Support clip x4

FOR SAFETY SHIPPING, THE DOWNLIGHT IS PRE-ASSEMBLED.
PLEASE FOLLOW STEP 1 & STEP 2 TO DISASSEMBLE AND PREPARE FOR INSTALLATION.



495MM DOWNLIGHT INSTALLATION PROCEDURE



PRODUCT NUMBER: A7627
ALL LED PRODUCTS REQUIRE THE USE OF A SUITABLE RATED DRIVER (SUPPLIED)

IP20 220-240V~50/60 HZ

INSTALLATION PROCEDURE

WARNING: SWITCH OFF MAINS BEFORE INSTALLING OR SERVICING

ACC3

LIVE NEUTRAL EARTH 1-10V(+) 1-10V(-)

1-10V

L N E + -

*Non dim do not need to wire 1-10V

1-10V E N L + -

3 Switch off mains, connect main wire to the connector by following the wiring order.

4 Push the holder into the ceiling hole, pass main wire through the central opening.

ACC4

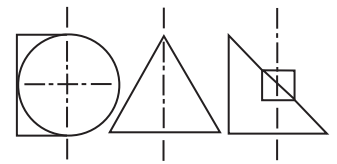
PRESS HERE UNTIL HEAR A "CLICK"

MAKE SURE ALL 4 CLIPS INSTALLED AT SAME LEVEL

5 Slide 4 support clips into holder arms, then press the clips to secure the holder in ceiling.

6 Connect driver with the plug.

495MM DOWNLIGHT INSTALLATION PROCEDURE

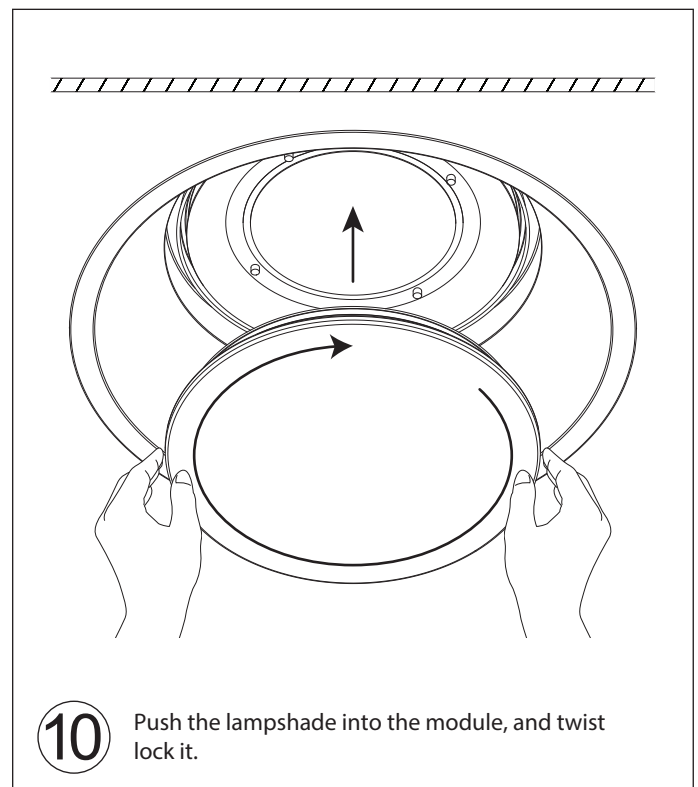
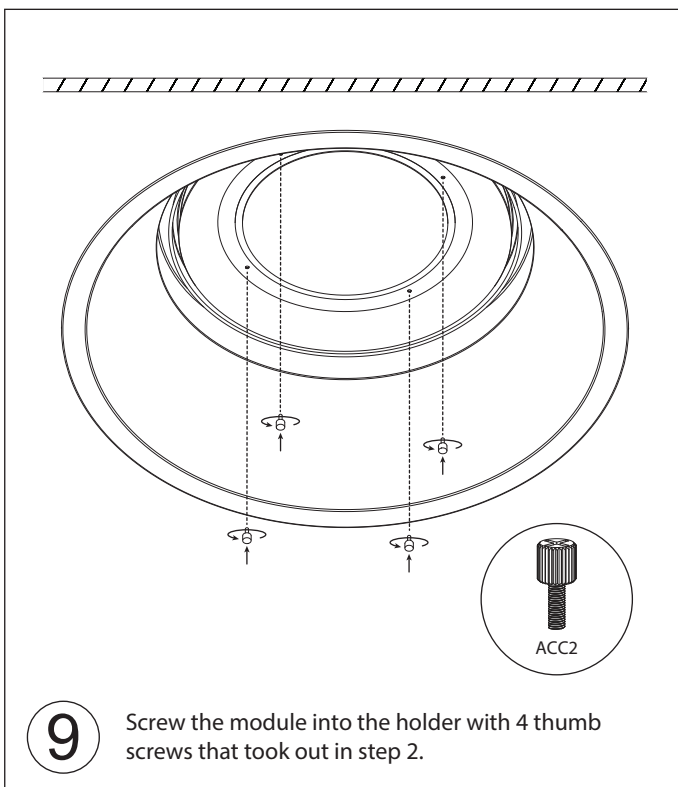
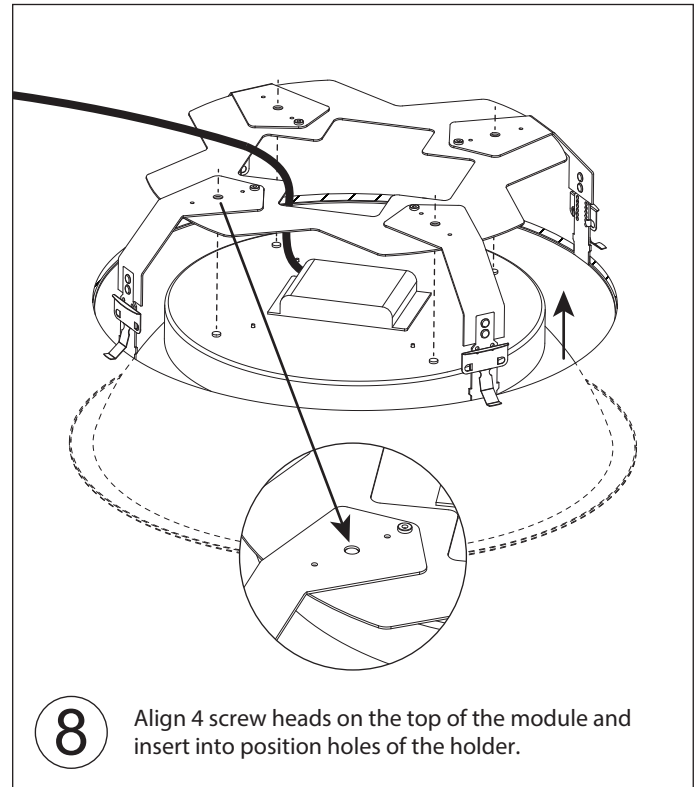
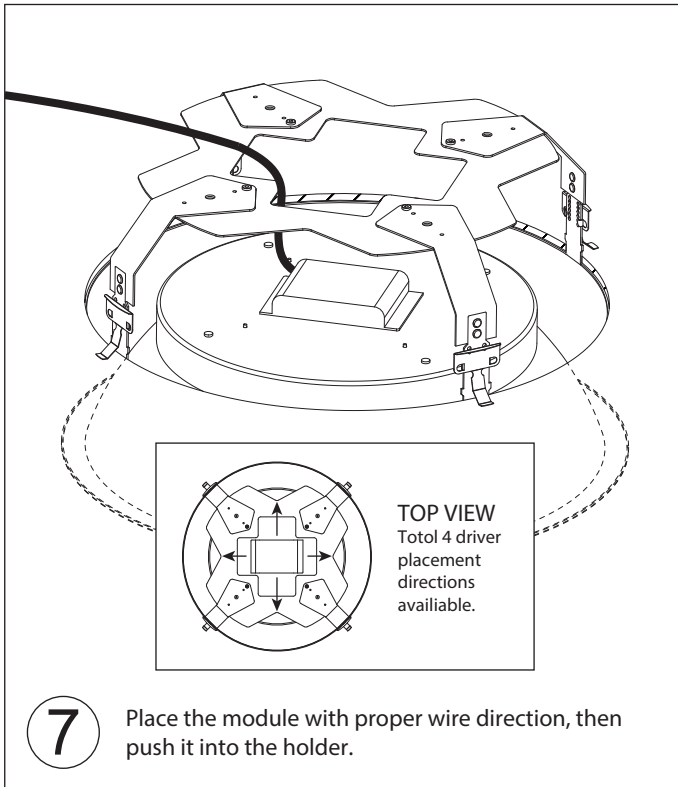


PRODUCT NUMBER: A7627
ALL LED PRODUCTS REQUIRE THE USE OF A SUITABLE RATED DRIVER (SUPPLIED)

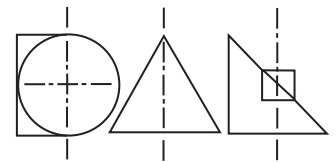
IP20 220-240V~50/60 HZ

INSTALLATION PROCEDURE

WARNING: SWITCH OFF MAINS BEFORE INSTALLING OR SERVICING



General Installation and Maintenance Procedure for Designed Architectural Lighting Luminaires



General Information

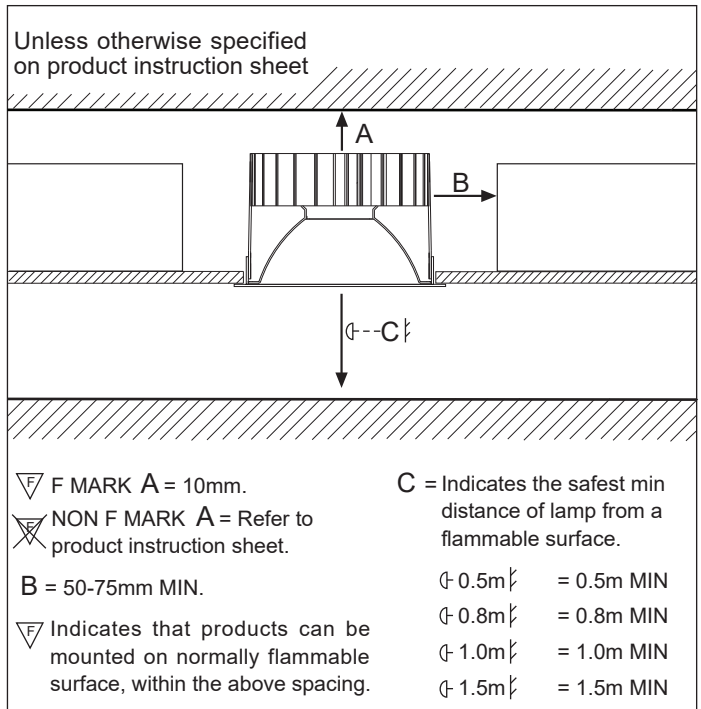
- Follow instruction sheet to ensure safe and reliable operation of product. Retain for future reference.
- The product should NOT be modified. Any modification will negate the safety mark/approvals, and may render the product unsafe.
- DAL accepts no responsibility for modified products. Modifications include devices fitted between the lamp and lamp holder.
- All replacement components should be identical with those replaced. Disposal to be as manufacturer's instructions.
- DAL track luminaire must only be used on DAL track system or equivalent for which they are designed.

Installation and Supply

- Unless specified otherwise, all products are IP20. DO NOT operate in damp or corrosive situations.
- Disconnect from mains supply before installation, maintenance or replacing fuse or lamp. Care must be taken when drilling holes near existing installation wiring, to avoid electric shock.
- Metal enclosed, Class II and Class III products must not be mounted in contact with or close to Earthed metal work, e.g. structural system of suspended ceilings.
- S.E.L.V. - To be used with Double Insulated. Extra Low Voltage, Safety Isolating Transformer or Driver only.
- When dimming is required, low voltage fittings should only be operated by a specifically rated dimmer.
- DAL accepts no responsibility for the effects of corrosive element in the installation/atmosphere.
- Any closure or ceiling void which prevents normal heat dissipation may cause reduced performance, overheating and risk of fire.

Maintenance

- Only lamps of correct type and rating should be used, and fully and correctly inserted into the lampholder. Manufacturers instructions should be complied with.
- Certain lamp types (Metal Halide / Tungsten Halogen) reach maximum temperature rapidly. Care must be taken when adjusting or relamping.
- Metal Halide Lamps - Replace failed lamps promptly to avoid ballast damage.
- Replace all cracked or damaged safety glass immediately.
- Regular and careful cleaning is required to ensure optimum performance and safety. Designed Architectural Lighting accepts no responsibility for the effect of solvents used when installing, servicing or re-decorating the surround, or for the accumulation of dust and dirt.



<h3>CLASS I</h3> <p>THIS CLASS MUST BE ⊕ EARTHED</p>	<h3>LEGEND</h3> <p>P/L - BROWN / L / COLOUR RED N - BLUE / N / COLOUR BLACK ⊕ - GREEN / YELLOW / EARTH E / ⊕ / COLOUR GREEN</p> <p>* TEMPERATURE RATING OF CABLE</p>
--	---

<h3>CLASS II □</h3> <p>DOUBLE INSULATED</p> <p>DO NOT USE ⊕ TERMINAL</p>	<h3>LEGEND</h3> <p>P/L - BROWN / L / COLOUR RED N - BLUE / N / COLOUR BLACK ⊕ - GREEN / YELLOW / EARTH E / ⊕ / COLOUR GREEN</p> <p>* TEMPERATURE RATING OF CABLE</p>
--	---

<h3>CLASS III ⚡</h3> <p>LOW VOLTAGE</p> <p>DO NOT USE ⊕ TERMINAL</p>	<h3>LEGEND</h3> <p>P/L - BROWN / L / COLOUR RED N - BLUE / N / COLOUR BLACK ⊕ - GREEN / YELLOW / EARTH E / ⊕ / COLOUR GREEN</p> <p>V - 6V / 12V / 24V / 48V AS INDICATED</p> <p>* TEMPERATURE RATING OF CABLE</p>
--	---