



LINEAR DECO

Designed by Speirs Major with Duncan Mitchell

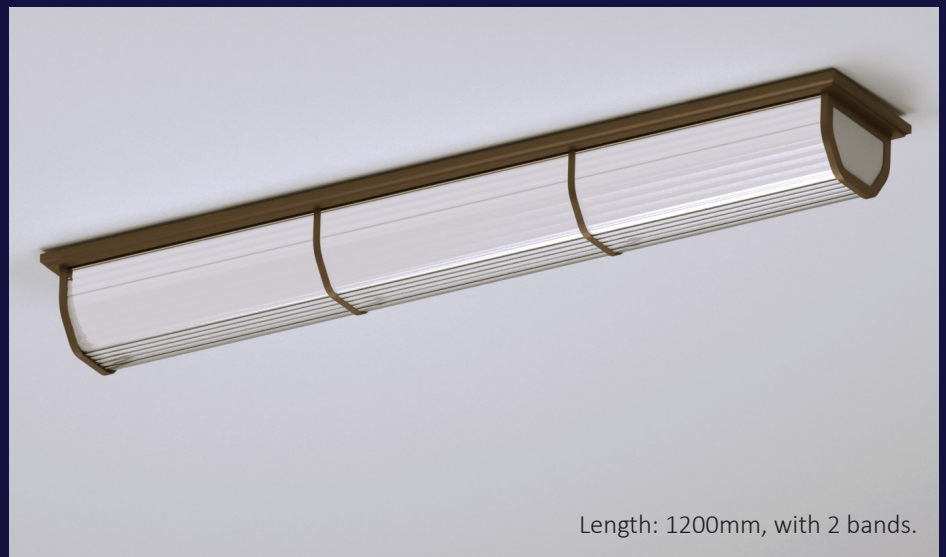
LINEAR DECO is surface mounted luminaire with opal diffuser inside a linear reeded glass to providing an even distribution with a decorative element. It is constructed in high quality extruded alluminium, steel and glass with durable powder coat bronze painted finish. The visual comfort appearance makes it ideal for wall or ceiling mounting, with a choice of 400mm, 800mm, 1200mm and 2000mm lengths perfect for both small and large spaces.

It has the latest high output LED technology, high efficiency and excellent colour consistency. It has passive cooling gear trays and integral driver. Easy to install and easy access to the LED / driver via 'hinged' mechanism, designed to be future proof.

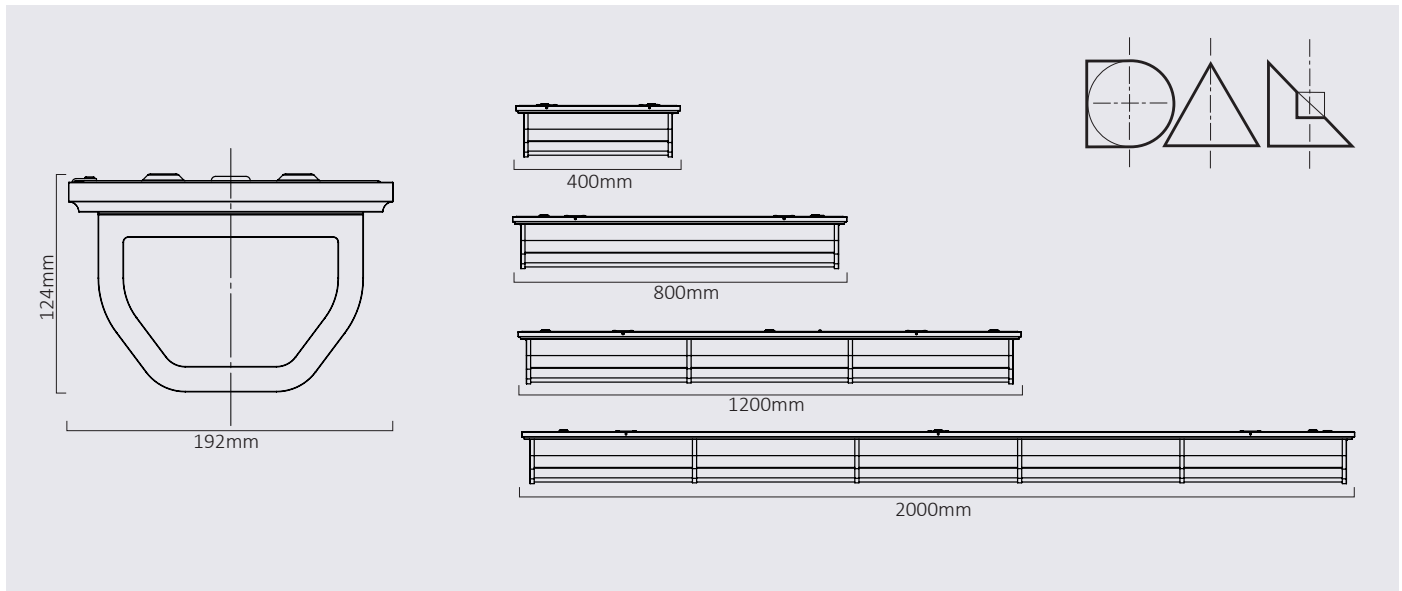
Standard colour temperatures: 3000K, 4000K colour rendering Ra >90 3 step Macadam. Life 50000 hours. Available with fixed non dimmable driver or DALI / 1-10V dimmable driver. IP20 construction. Built to conform to the requirements of BS EN 60598-1 and IEC 598.



High quality cast end caps.



Length: 1200mm, with 2 bands.



Product number	Diffuser Distribution	Overall Length	CCT	CRI	Typical Delivered Lumens	Watts
A7410/400	Opal / Reeded Linear	400mm	3000 K	90+	1200 lms	19 W
A7410/800	Opal / Reeded Linear	800mm	3000 K	90+	3000 lms	48 W
A7411/1200	Opal / Reeded Linear	1200mm	3000 K	90+	4300 lms	67 W
A7411/2000	Opal / Reeded Linear	2000mm	3000 K	90+	8000 lms	124 W

Light Source:	High quality LEDs	Standard Painted Finish:	Antique Bronze
Colour Rendering:	Excellent CRI > 90 (other CRI available on request).	Optical Performance:	Engineered diffuser controls the distribution resulting in an even distribution and appearance.
Colour Temp:	3000K or 4000K (other CCT available on request).	Construction:	IP20 (dry interior use).
LED operation:	Wired in parallel to allow highest output at the coolest temperature, ensuring correct	Standard Mounting:	Surface Mounted
Longevity:	50,000 hrs L80.(min)	Electrical Supply:	230v 50/60Hz
Light Control:	Fixed, DALI or 1-10V as standard		
Construction:	Extruded aluminium construction.		

www.dal-uk.com



Length: 2000mm



Length: 800mm