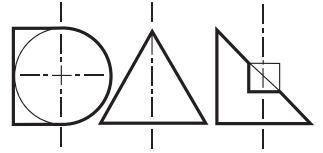


# CIVIC 210 - 225mm Height



CIVIC 210 downlighter with deep cone satin silver reflector with a choice of beam distribution, comes with surface mount / rod mount and suspend wire install options. CIVIC 210 finished in white, silver and black casing as standard. The high-quality precision light controller and deep cone aluminium reflector gives visual comfort. The CIVIC 210 is easy to install and incorporates the latest, high efficiency LED technology. Colour consistency through life is ensured by state-of-the-art components and passive cooling aluminium heat sinks.

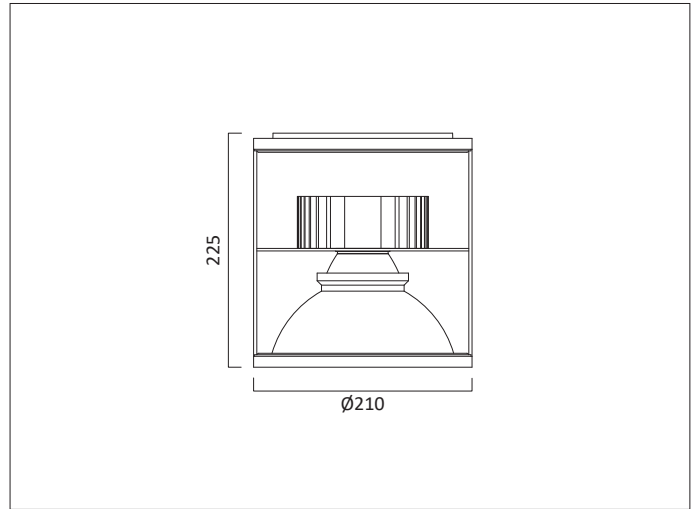
Standard colour temperatures: 2700K, 3000K, 4000K, colour rendering Ra >90 2 step Macadam. Life 50000 hours. A choice of drivers provide fixed supply or dimming to project requirements.

IP44 durable, high specification diecast construction, colour powder coat finish provides longevity.

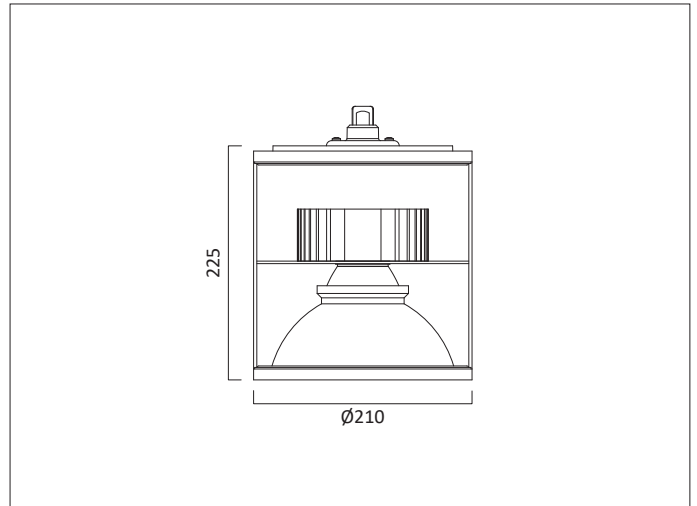
Built to conform to the requirements of BS EN 60598-1 and IEC 598. Photometrically tested to LM-79 confirms CIVIC 210 high performance.



SURFACE MOUNT



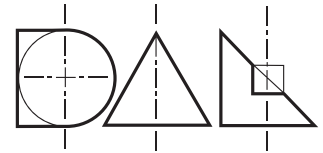
PENDANT MOUNT (SUSPEND WIRE / ROD)



## PRODUCT CODING EXAMPLE: C984223J550X159

Series	Distribution	Reflector Colour	Initial Lumen	LED	Colour Temp	Driver Protocol	Emergency Protocol	Body Colour
C98	2 15°	1 Specular Silver	23 2300 lm	J CREE	2 2700K	0 Fixed	0 None E Emergency N Non-maintained	X009 Black X006 White X159 Silver
	3 24°	2 Satin Silver	30 3000 lm		3 3000K	1 1-10V		
	4 36°	3 Black	37 3700 lm		5 DALI	7 Lead / Trail		
		4 White			5 4000K	9 Addressible		
<b>C98</b>	<b>4</b>	<b>2</b>	<b>23</b>	<b>J</b>	<b>5</b>	<b>5</b>	<b>0</b>	<b>X159</b>

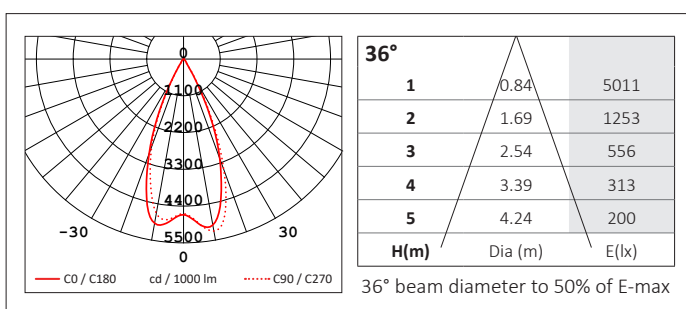
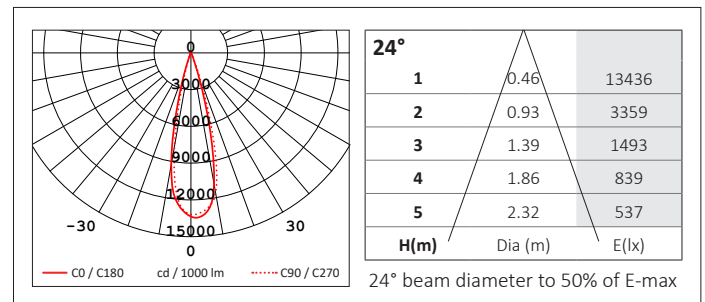
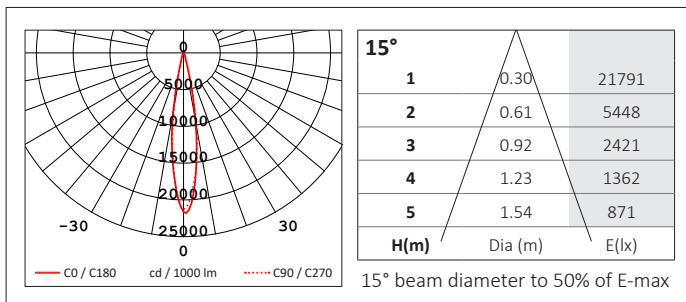
# CREE Light Engine - For 15° / 24° / 36° Beam



CCT	Lumen Source Output	CRI	Forward Voltage	Pd (W)	Current
2700K	2100 lm	90	35.0 V	17.5 W	500 mA
	2800 lm	90	36.2 V	25.4 W	700 mA
	3500 lm	90	37.4 V	33.7 W	900 mA
3000K	2300 lm	90	35.0 V	17.5 W	500 mA
	3000 lm	90	36.2 V	25.4 W	700 mA
	3700 lm	90	37.4 V	33.7 W	900 mA
4000K	2500 lm	90	35.0 V	17.5 W	500 mA
	3300 lm	90	36.2 V	25.4 W	700 mA
	4000 lm	90	37.4 V	33.7 W	900 mA

## PHOTOMETRIC DATA - Tested with 3000K CREE LED (CRI 90, 2-step Macadam)

Beam Angle	Delivered Lumens	LOR	Luminous Intensity	Forward Voltage	LED W	Current	UGR
15°	2621 lm	79%	21801 cd	37.4 V	37 W	900 mA	<16
24°	2733 lm	82%	13460 cd				
36°	2682 lm	81%	5224 cd				



Tolerance range for optical and electrical data: ±10%.