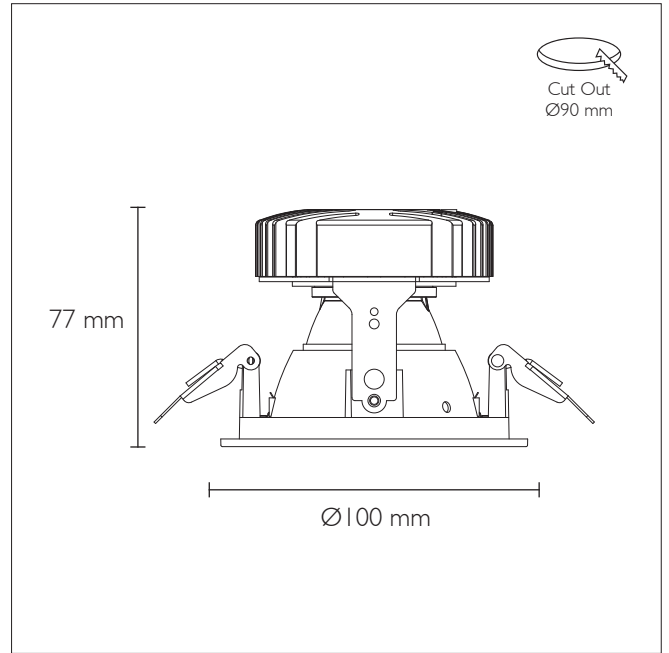
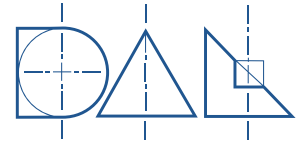


AMBIANCE 100 FIXED

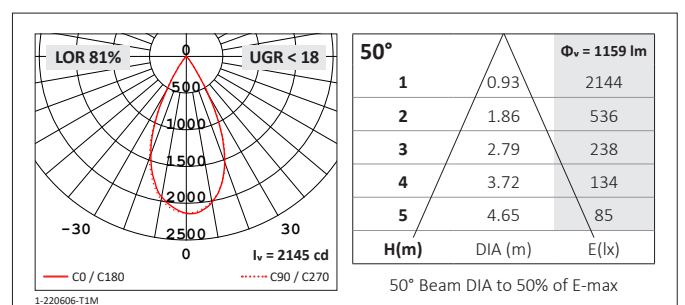
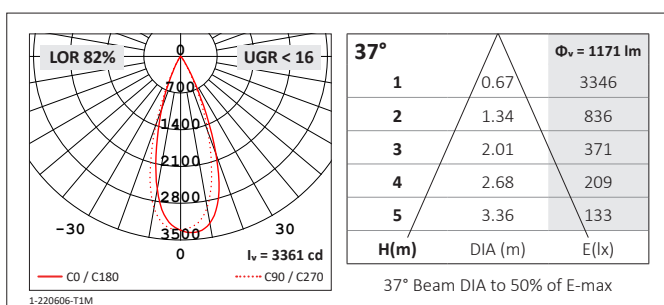
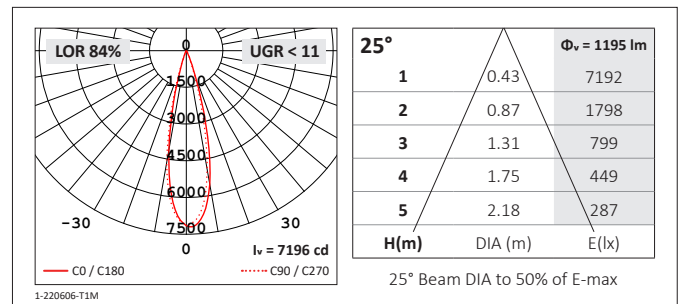
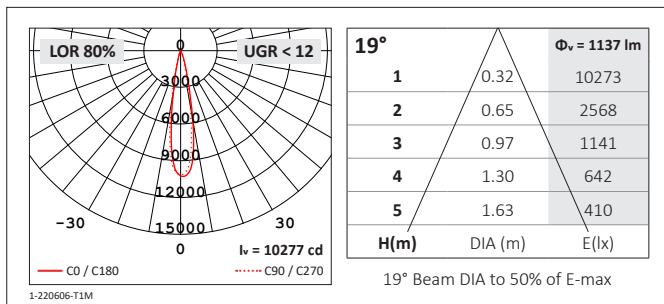


STANDARD MODULE - 19° / 25° / 37° / 50° Beam

CREE Lighting Engine - CRI 90, 2-Step MacAdam
2700K / 3000K / 4000K

Source Lumens	System Wattage	Delivered Lumens	Efficacy (LOR 80%)	Delivered Lumens	Efficacy (LOR 84%)	Delivered Lumens	Efficacy (LOR 82%)	Delivered Lumen	Efficacy (LOR 81%)
		19°		25°		37°		50°	
1000 lm	7.2 W	800 lm	111 lm/W	840 lm	116 lm/W	820 lm	113 lm/W	810 lm	112 lm/W
1300 lm	9.5 W	1040 lm	109 lm/W	1092 lm	114 lm/W	1066 lm	112 lm/W	1053 lm	110 lm/W
1700 lm	13.3 W	1360 lm	102 lm/W	1428 lm	107 lm/W	1394 lm	104 lm/W	1377 lm	103 lm/W
2400 lm	18.9 W	1920 lm	101 lm/W	2016 lm	106 lm/W	1968 lm	104 lm/W	1944 lm	102 lm/W

Tested with CREE 4000K (System: 13.3 W / 350 mA)

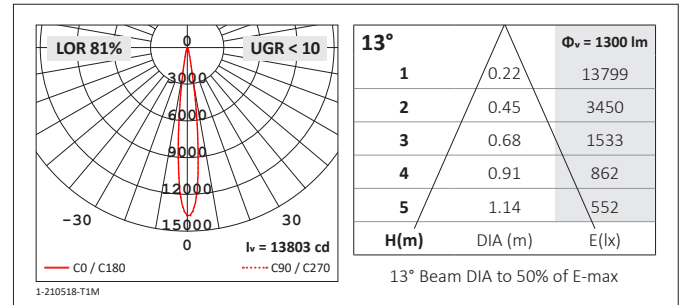


NARROW MODULE - 13° Beam

CREE Lighting Engine - CRI 90, 2-Step MacAdam
2700K / 3000K / 4000K

Tested with CREE 4000K (System: 13.3 W / 350 mA)

Source Lumens	System Wattage	Delivered Lumens	Efficacy (LOR 81%)
13°			
760 lm	7.2 w	615 lm	85 lm/w
1250 lm	13.3 w	1012 lm	76 lm/w
1700 lm	18.9 w	1377 lm	72 lm/w



REFLECTOR COLOUR



Specular Silver



Satin Silver



Black



White



Gold

PRODUCT CODING EXAMPLE - C034124J550

Series	Beam	Reflector Colour	Source Lumens	LED	CCT	Driver Protocol	Emergency Protocol
C03 IP20 C04 IP44	1 13° 2 19° 3 25° 4 37° 5 50°	1 Specular Silver 2 Satin Silver 3 Black 4 White 5 Gold	07 760 lm 10 1000 lm 12 1250 lm 13 1300 lm 17 1700 lm 24 2400 lm	J Cree	2 2700K 3 3000K 5 4000K	0 Fixed 1 1-10V 5 DALI 7 Lead / Trail 9 Addressible	0 None E Emergency N Non-maintained
C03	4	1	24	J	5	5	0

- CRI 98 CREE Lighting engine is available on request
- XICATO / Other LED Lighting engines are available on request
- Tolerance range for optical and electrical data shown in this datasheet: ±5%