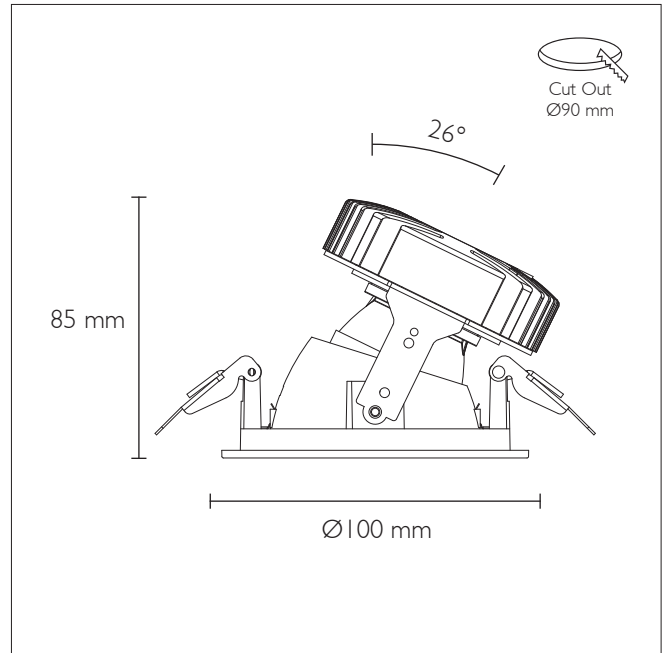
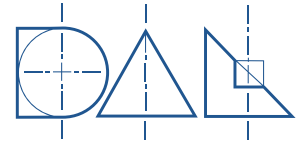


# AMBIANCE 100 LENS WALLWASHER

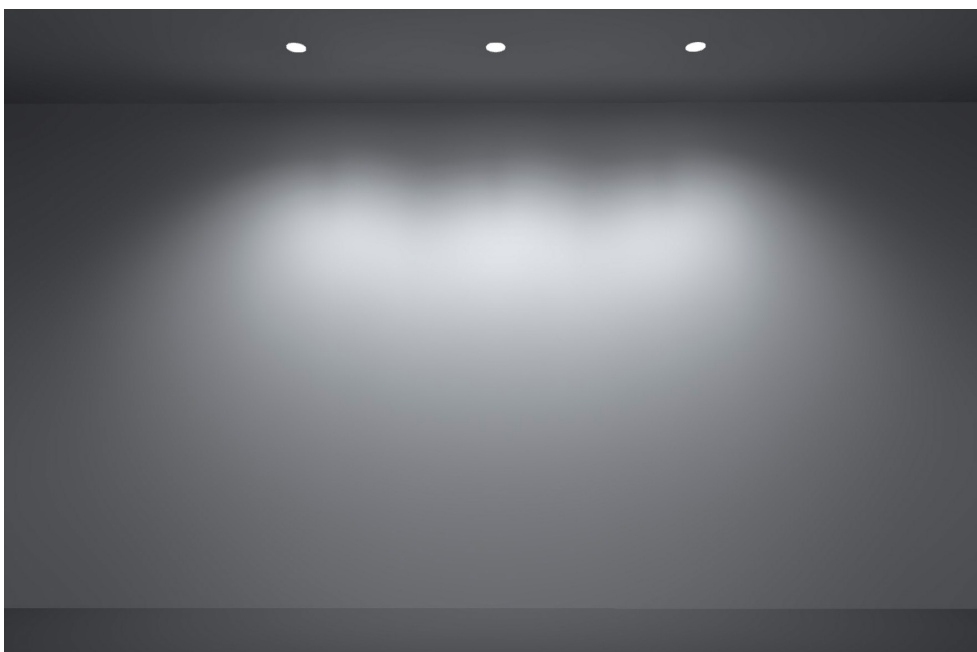
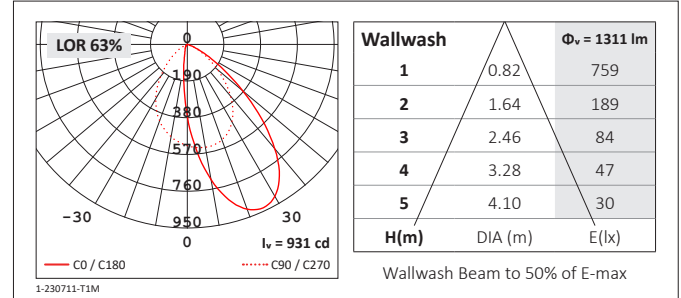


## WALLWASH MODULE

CREE Lighting Engine - CRI 90, 2-Step MacAdam  
2700K / 3000K / 4000K

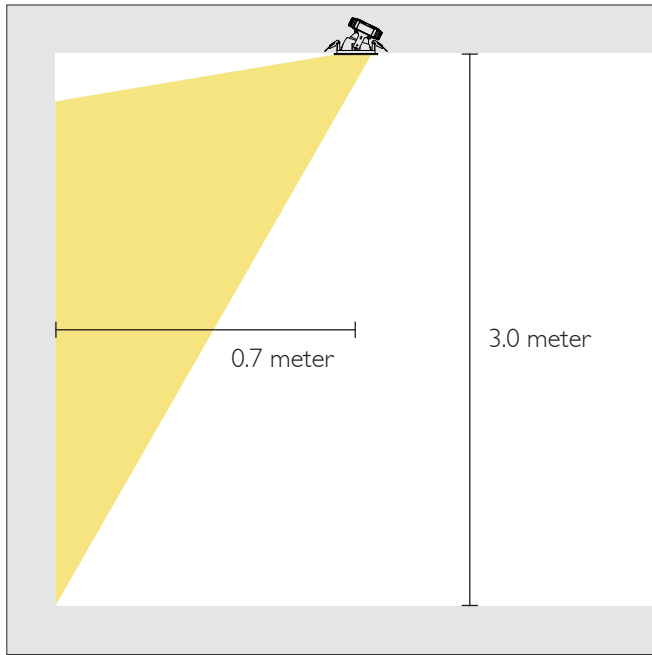
Tested with CREE 4000K (System: 13.3 W / 350 mA)

Source Lumens	System Wattage	Delivered Lumens	Efficacy (LOR 63%)
<b>Wallwash</b>			
1000 lm	7.2 W	630 lm	87 lm/W
1300 lm	9.5 W	819 lm	86 lm/W
1700 lm	13.3 W	1071 lm	80 lm/W
2400 lm	18.9 W	1512 lm	80 lm/W

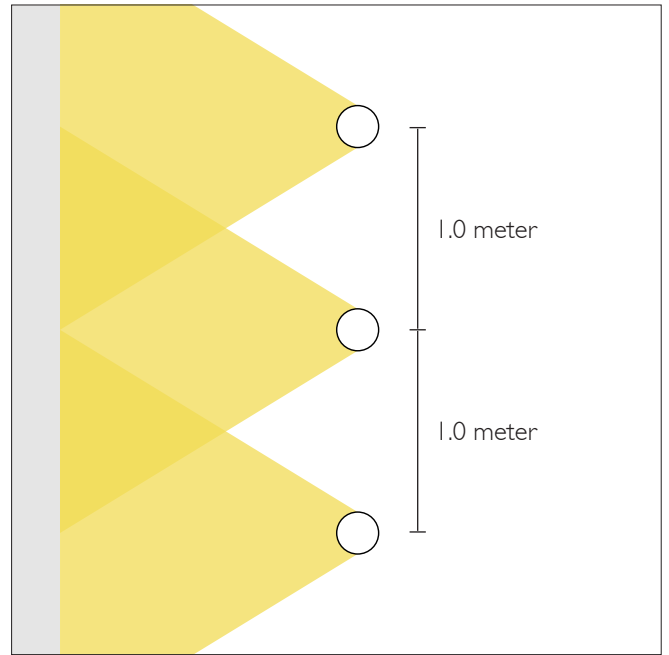


\* Simulation for reference only

## WALLWASH PLACEMENT



Suggested mounting distance from downlight center to wall of AMBIANCE 100 Wallwasher is 0.7 meter, ceiling height 3 meter.



Suggested downlight center spacing of the AMBIANCE 100 Lens Wallwasher is 1.2 meter. Fixture opening must be oriented parallel with wall.

## REFLECTOR COLOUR



Specular Silver



Satin Silver



Black



White



Gold

## PRODUCT CODING EXAMPLE - C070124J550

Series	Beam	Reflector Colour	Source Lumens	LED	CCT	Driver Protocol	Emergency Protocol
C07 IP20	0 Wallwash	1 Specular Silver 2 Satin Silver 3 Black 4 White 5 Gold	10 1000 lm 13 1300 lm 17 1700 lm 24 2400 lm	J Cree	2 2700K 3 3000K 5 4000K	0 Fixed 1 1-10V 5 DALI 7 Lead / Trail 9 Addressible	0 None E Emergency N Non-maintained
<b>C07</b>	<b>0</b>	<b>1</b>	<b>24</b>	<b>J</b>	<b>5</b>	<b>5</b>	<b>0</b>

- CRI 98 CREE Lighting engine is available on request
- Xicato / Other LED Lighting engines are available on request
- Tolerance range for optical and electrical data shown in this datasheet: ±5%