



G-LINE OPAL TUBE



I-LINE WASHLIGHT

Track Linear Light

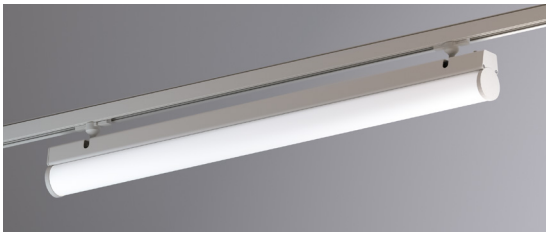




## G-LINE OPAL TUBE

G-LINE with 60mm diameter opal tube is a track mounted luminaire with high range of adjustability to providing flexibility to several lighting solution. The on-board dimmer can provide accent lighting, perfect to create an atmosphere and enhance objects. The high output LED is perfect for general lighting giving a larger sense of space to the environment. Of extruded aluminum and steel construction finished in white or black. The high-quality and efficient opal diffuser which provides a uniform distribution. The G-LINE is easy to install and incorporates the latest, high efficiency LED technology. Colour consistency through life is ensured by state-of-the-art components and passive cooling aluminum heat sinks.

Available in single colour temperature or with a colour switch 3000K / 4000K as standard, perfect for a gallery and exhibitions. Colour rendering Ra 90+, 3 step Macadam. Long life of 50,000 hours. On board dimmer smooth 1-100% dimmer. IP20 construction. Built to conform to the requirements of BS EN 60598-1 and IEC 598. Photometrically tested to LM-79 confirms the high performance.



Available in two lengths 572mm / 1272mm.



Built in rotary dimmer



Switchable 3000K or 4000K

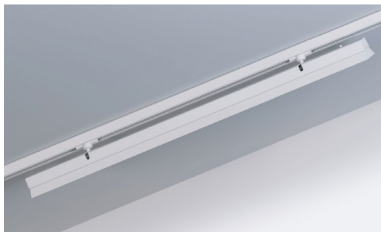




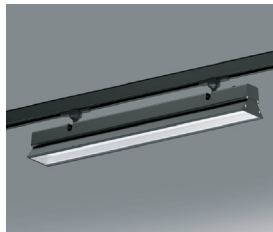
## I-LINE WASHLIGHT

I-LINE WASHLIGHT is a track mounted luminaire with high range of adjustability to providing flexibility to light high up the wall, to focus an artwork or aim at a large display. The on-board dimmer can provide accent lighting, perfect to create an atmosphere and enhance objects. The high output LED is perfect for wall washing, giving a larger sense of space to the environment. I-LINE LED washlight perfect for all lighting solutions. Of extruded aluminium and steel construction finished in white or black. The high-quality precision light controller used in conjunction with a choice of films / diffusers gives visual comfort. The I-LINE is easy to install and incorporates the latest, high efficiency LED technology. Colour consistency through life is ensured by state-of-the-art components and passive cooling aluminium heat sinks.

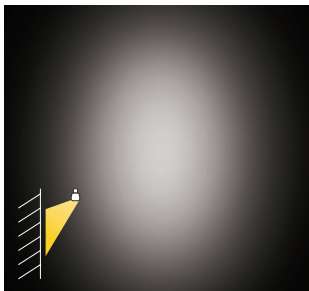
Standard colour temperatures: 3000K, 4000K colour rendering Ra >90 3 step Macadam. Life 50000 hours. On board dimmer smooth 1-100% dimmer. IP20 construction Built to conform to the requirements of BS EN 60598-1 and IEC 598. Photometrically tested to LM-79 confirms I-LINE high performance.



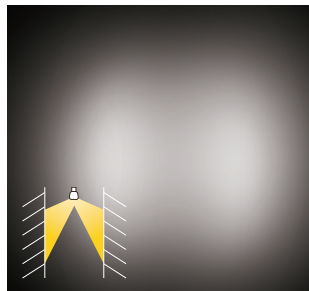
Available in two lengths 572mm / 1272mm.



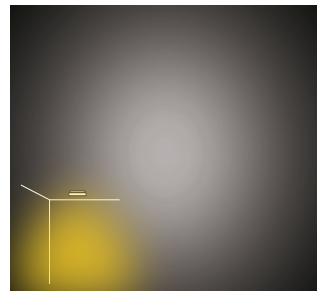
Built in rotary dimmer



Asymmetric



Double Asymmetric

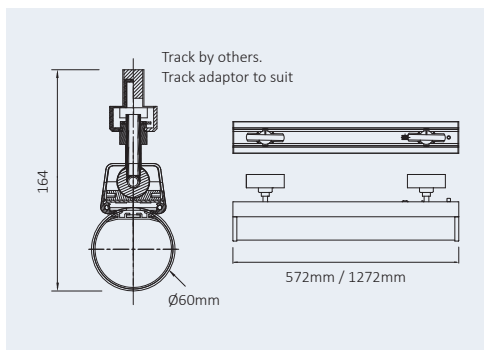


Diffused

## G-LINE OPAL TUBE

- Light Control:** Smooth dimming down to 5%  
Achieved by a rotary control
- Optical:** Tubular opal diffuser  
with even distribution and appearance
- Construction:** Extruded aluminium
- Standard Mounting:** 3 Circuit Eutrac adaptor x2
- IP Rating:** IP20 (dry interior use)
- Electrical Supply:** 230-240V, 50/60Hz
- Longevity (min):** 50,000 hrs L80

Other CCT and CRI are available on request.

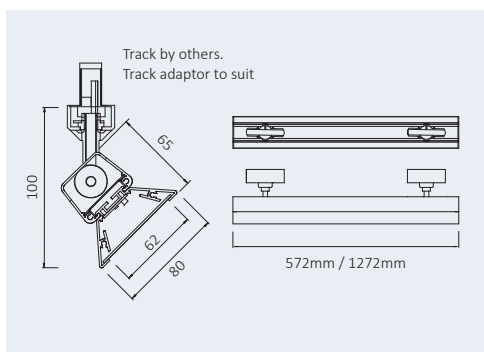


Product Number	Finish	Length	Colour Switch CCT	CRI	Initial Lumens
GL572 / W	RAL 9010 White	572 mm	3000K / 4000K	90+	3000 lm
GL572 / B	RAL 9005 Black	572 mm	3000K / 4000K	90+	3000 lm
GL1272 / W	RAL 9010 White	1272 mm	3000K / 4000K	90+	5000 lm
GL1272 / B	RAL 9005 Black	1272 mm	3000K / 4000K	90+	5000 lm

## I-LINE WASHLIGHT

- Light Control:** Smooth dimming down to 5%  
Achieved by a rotary control
- Optical:** Engineered diffuser control  
Even distribution and appearance
- Construction:** Extruded aluminium
- Finish:** RAL 9010 White / RAL 9005 Black
- Standard Mounting:** 3 Circuit Eutrac adaptor x2
- IP Rating:** IP20 (dry interior use)
- Electrical Supply:** 230-240V, 50/60Hz
- Longevity (min):** 50,000 hrs L80

Other CCT and CRI are available on request.



Product Number	Distribution	Length	CCT	CRI	Initial Lumens	Watts
L7501	Asymmetric	572 mm	3000K	90+	2000 lm	15.0
L7701	Asymmetric	572 mm	4000K	90+	2000 lm	15.0
L7502	Asymmetric	1272 mm	3000K	90+	4000 lm	33.7
L7702	Asymmetric	1272 mm	4000K	90+	4000 lm	33.7

### DAL LONDON STUDIO

UNDERWOOD WORKS, 6-14 UNDERWOOD STREET, LONDON, N1 7JQ

+44 (0)207 4903998

SALES@DAL-UK.COM

WWW.DAL-UK.COM



© 2023. Designed Architectural Lighting.  
All rights reserved, all designs and photos are protected by copyright.