



No 1 St James's Market, London
Electrical Installation and Construction: Balfour Beatty Plc
Lighting Specialist: Lightwaves
Client: The Crown Estate and Oxford Properties

Lightline 60 / 88

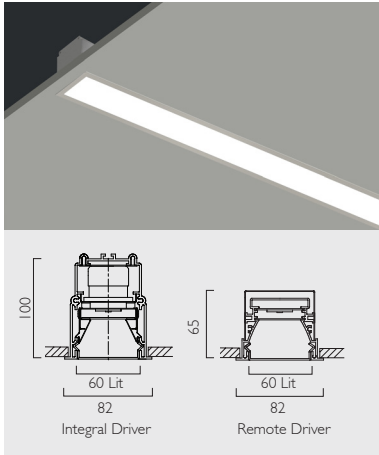
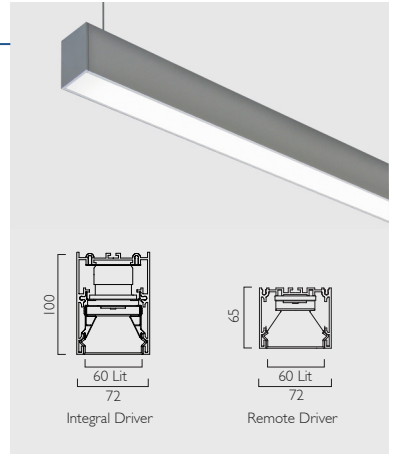
Linear Lighting System



LIGHTLINE 60

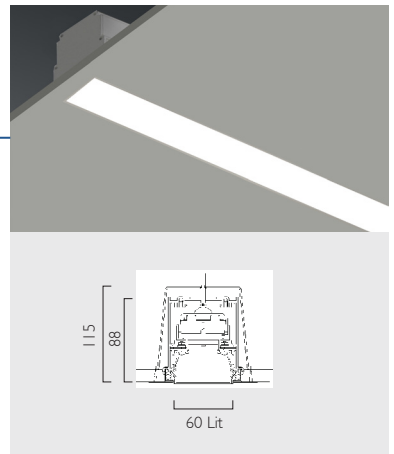
SURFACE / PENDANT

	High Efficiency	High Output
Typical Luminous flux per 280mm board. @ tp = 65°C	620 lumens, 3000K 640 lumens, 4000K	1130 lumens, 3000K 1170 lumens, 4000K
CRI (Ra)	>80	>80
Lifetime	50,000	50,000
IP rating	IP40	IP40
Cover / Lens	Opal	Opal
Driver Options	Fixed, DALI, I-10V, DSI	Fixed, DALI, I-10V, DSI



RECESSED WITH TRIM

	High Efficiency	High Output
Typical Luminous flux per 280mm board. @ tp = 65°C	620 lumens, 3000K 640 lumens, 4000K	1130 lumens, 3000K 1170 lumens, 4000K
CRI (Ra)	>80	>80
Lifetime	50,000	50,000
IP rating	IP40	IP40
Cover / Lens	Opal	Opal
Driver Options	Fixed, DALI, I-10V, DSI	Fixed, DALI, I-10V, DSI



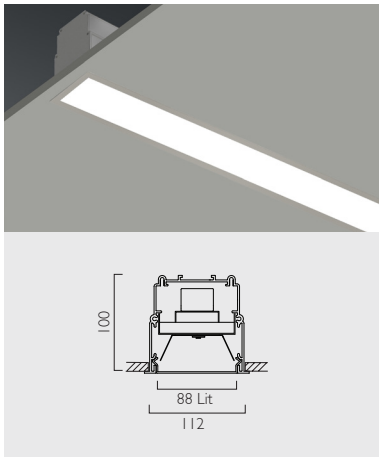
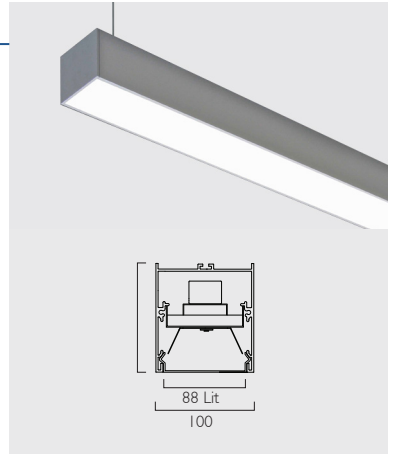
TRIMLESS RECESSED

	High Efficiency	High Output
Typical Luminous flux per 280mm board. @ tp = 65°C	620 lumens, 3000K 640 lumens, 4000K	1130 lumens, 3000K 1170 lumens, 4000K
CRI (Ra)	>80	>80
Lifetime	50,000	50,000
IP rating	IP40	IP40
Cover / Lens	Opal	Opal
Driver Options	Fixed, DALI, I-10V, DSI	Fixed, DALI, I-10V, DSI

LIGHTLINE 88

SURFACE / PENDANT

	High Efficiency	High Output
Typical Luminous flux per 280mm board. @ tp = 65°C	620 lumens, 3000K 640 lumens, 4000K	1130 lumens, 3000K 1170 lumens, 4000K
CRI (Ra)	>80	>80
Lifetime	50,000	50,000
IP rating	IP40	IP40
Cover / Lens	Opal	Opal
Driver Options	Fixed, DALI, I-10V, DSI	Fixed, DALI, I-10V, DSI

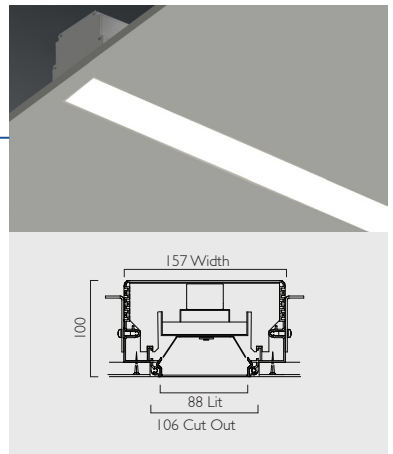


RECESSED WITH TRIM

	High Efficiency	High Output
Typical Luminous flux per 280mm board. @ tp = 65°C	620 lumens, 3000K 640 lumens, 4000K	1130 lumens, 3000K 1170 lumens, 4000K
CRI (Ra)	>80	>80
Lifetime	50,000	50,000
IP rating	IP40	IP40
Cover / Lens	Opal	Opal
Driver Options	Fixed, DALI, I-10V, DSI	Fixed, DALI, I-10V, DSI

TRIMLESS RECESSED

	High Efficiency	High Output
Typical Luminous flux per 280mm board. @ tp = 65°C	620 lumens, 3000K 640 lumens, 4000K	1130 lumens, 3000K 1170 lumens, 4000K
CRI (Ra)	>80	>80
Lifetime	50,000	50,000
IP rating	IP40	IP40
Cover / Lens	Opal	Opal
Driver Options	Fixed, DALI, I-10V, DSI	Fixed, DALI, I-10V, DSI





Tunable White LED is available and allows the colour temperature of white light to be set between 3000K - 6000K. To specify add suffix /TW to the driver product number.

Please contact us for further information.



LIGHTLINE is an elegant linear luminaire designed to create neat lines of light on or within the ceiling. It is available in surface mounted, suspended, recessed or trimless versions. It can be supplied as individual modules or modules to create continuous runs. Complete with integral or remote drivers.

LIGHTLINE is an adaptable product. As outlined it is able to be surface mounted, suspended or recessed and able to answer all the needs of a single project.

Designed Architectural Lighting is a flexible, customer friendly company and LIGHTLINE can be supplied in different colour finishes if required.

General Features

- Robust extruded aluminium construction
- Sharp edge detail
- Easily installed components
- Satin opal diffuser. Microprism lens diffuser is also available
- Integral reflector
- 60mm or 80mm lit width
- Surface and pendant versions finished metallic silver
- Recessed version ceiling trim finished white RAL 9010
- Integral or remote drivers, depending on the profile
- Driver options: non-dimmable or dimmable protocols: 1-10v, DSI, DALI, Lead/trailing edge.

LED Features

- High colour rendering index CRI (Ra) >80
- Small colour tolerance 3 Step MacAdam
- Small luminous flux tolerances
- Good colour consistency
- Colour temperature 3000K / 4000K
- Perfectly uniform light, even if several LED modules are used in a line.

DAL LONDON STUDIO

UNDERWOOD WORKS, 6-14 UNDERWOOD STREET, LONDON, N1 7JQ

+44 (0)207 4903998

SALES@DAL-UK.COM

WWW.DAL-UK.COM

