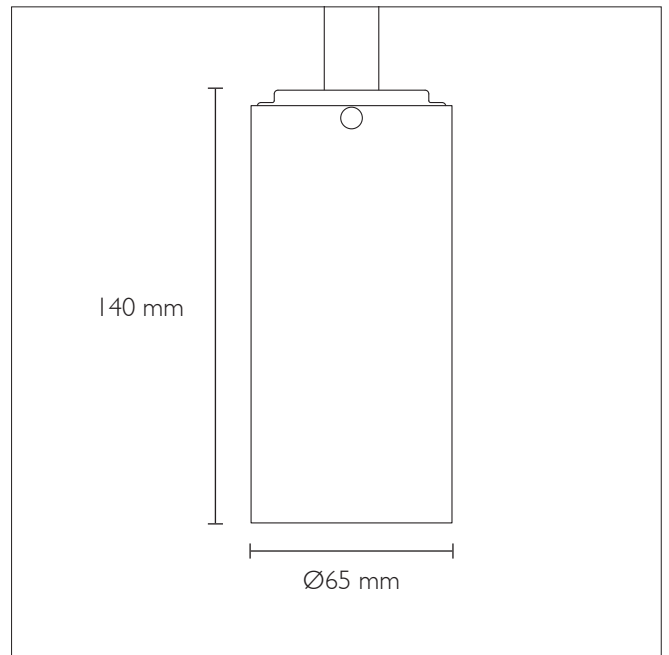
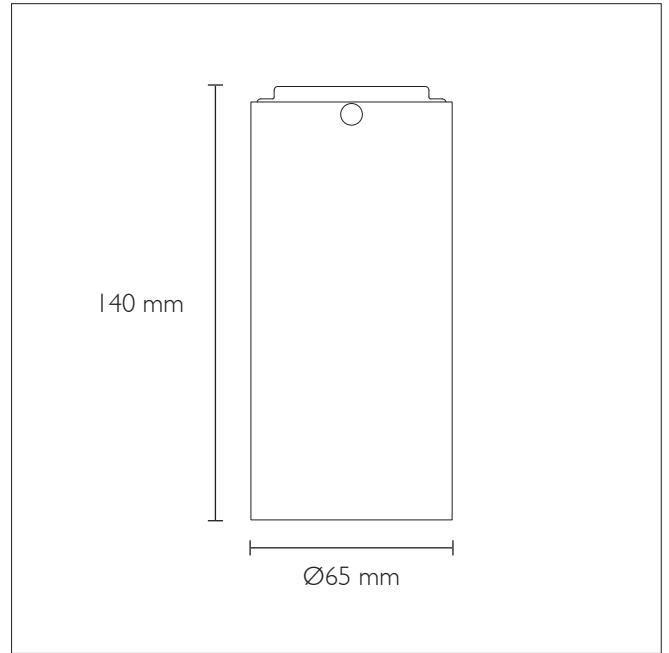
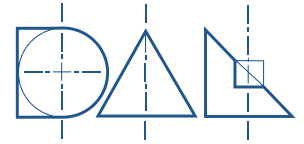


CIVIC 65 FIXED



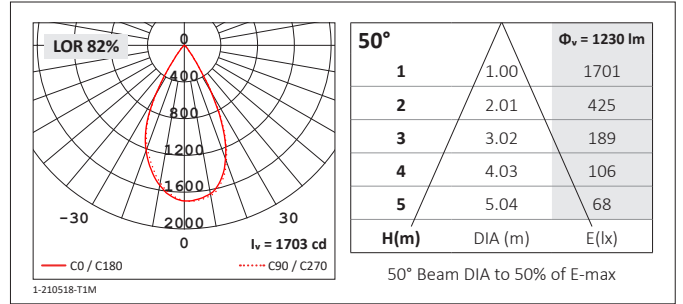
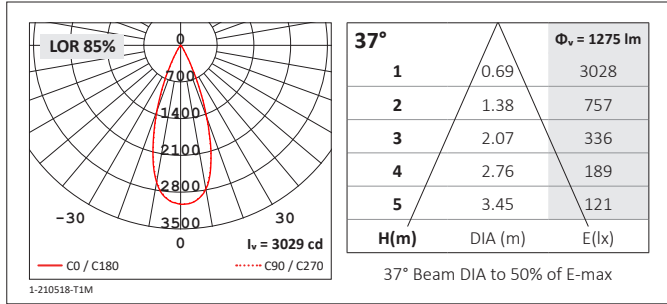
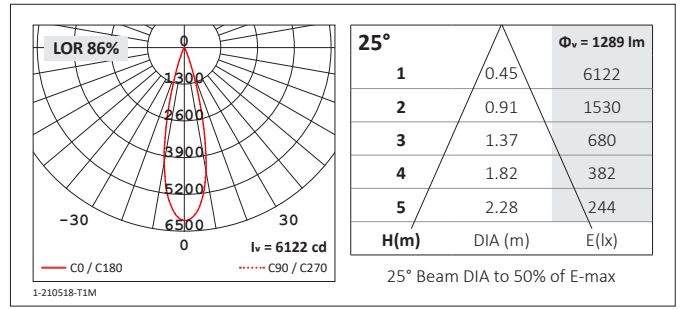
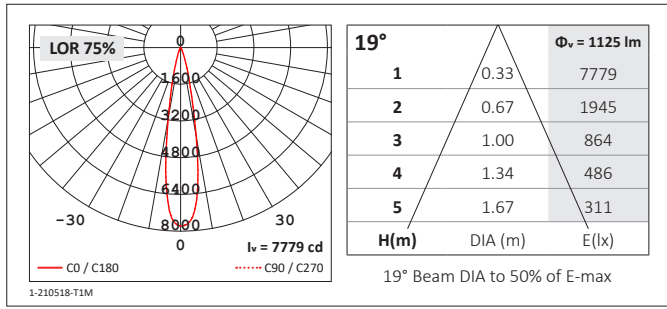
STANDARD MODULE - 19° / 25° / 37° / 50° Beam

CREE Lighting Engine - CRI 90, 2-Step MacAdam

2700K / 3000K / 4000K

Source Lumens	System Wattage	Delivered Lumens	Efficacy (LOR 75%)	Delivered Lumens	Efficacy (LOR 86%)	Delivered Lumens	Efficacy (LOR 85%)	Delivered Lumen	Efficacy (LOR 82%)
		19°		25°		37°		50°	
1000 lm	8.6 W	750 lm	87 lm/W	860 lm	100 lm/W	850 lm	98 lm/W	820 lm	95 lm/W
1260 lm	9.4 W	945 lm	100 lm/W	1084 lm	115 lm/W	1071 lm	113 lm/W	1033 lm	109 lm/W
1500 lm	11.4 W	1125 lm	98 lm/W	1290 lm	113 lm/W	1275 lm	111 lm/W	1230 lm	107 lm/W

Tested with CREE 3000K (System: 11.4 W / 300 mA)



BODY COLOUR



White



Black

PRODUCT CODING EXAMPLE - F414315J550

Series	Beam	Reflector Colour	Source Lumens	LED	CCT	Driver Protocol	Emergency Protocol
F41 White Casing	1 19°	1 Specular Silver	10 1000 lm	J Cree	2 2700K 3 3000K 5 4000K	0 Fixed 1 I-10V 5 DALI 7 Lead /Trail 9 Addressible	0 None E Emergency N Non-maintained
F42 Black Casing	2 25°	2 Satin Silver	12 1260 lm				
	3 37°	3 Black	15 1500 lm				
	4 50°	4 White					
F41	4	3	15	J	5	5	0

- CRI 98 CREE Lighting engine is available on request
- Tolerance range for optical and electrical data shown in this datasheet: ±5%