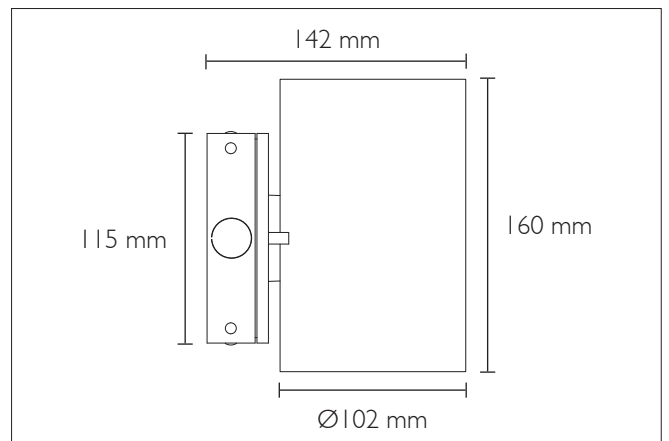
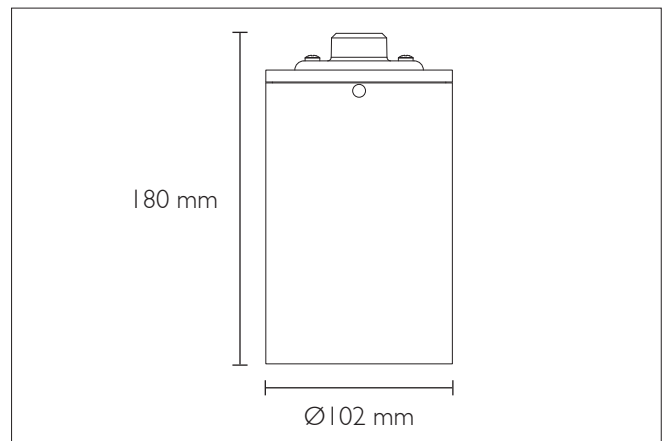
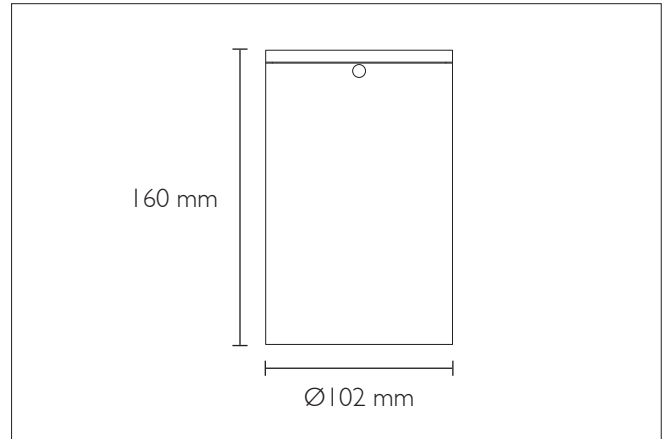
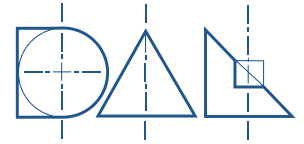


# CIVIC 102 FIXED



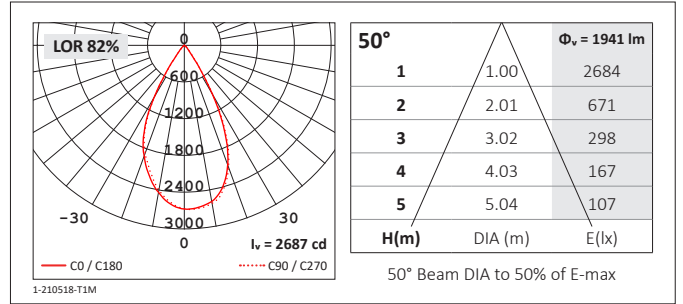
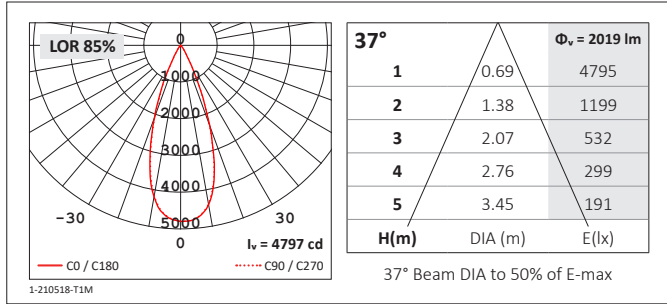
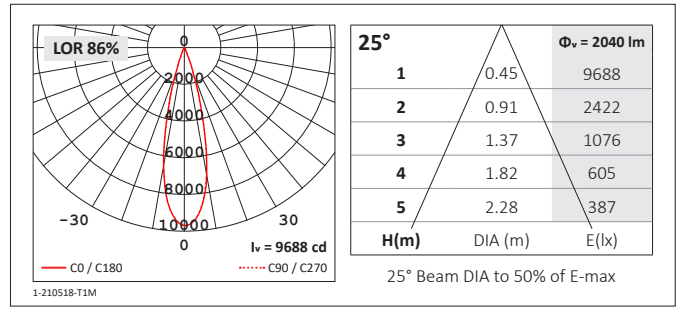
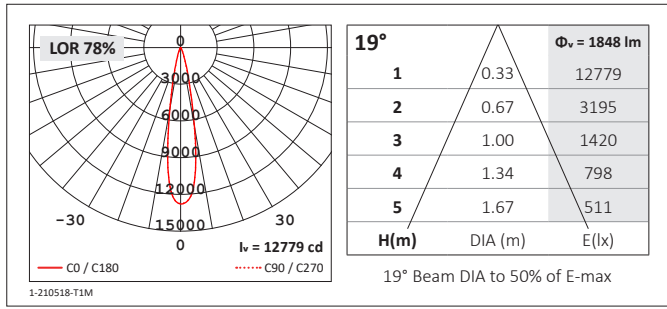
## STANDARD MODULE - 19° / 25° / 37° / 50° Beam

CREE Lighting Engine - CRI 90, 2-Step MacAdam

2700K / 3000K / 4000K

Source Lumens	System Wattage	Delivered Lumens	Efficacy (LOR 78%)	Delivered Lumens	Efficacy (LOR 86%)	Delivered Lumens	Efficacy (LOR 85%)	Delivered Lumen	Efficacy (LOR 82%)
		19°		25°		37°		50°	
1500 lm	11.4 W	1165 lm	102 lm/W	1286 lm	112 lm/W	1272 lm	111 lm/W	1223 lm	107 lm/W
1950 lm	15.5 W	1514 lm	97 lm/W	1672 lm	107 lm/W	1654 lm	106 lm/W	1591 lm	102 lm/W
2380 lm	19.7 W	1848 lm	93 lm/W	2040 lm	103 lm/W	2019 lm	102 lm/W	1941 lm	98 lm/W

Tested with CREE 3000K (System: 19.7 W / 500 mA)



## BODY / REFLECTOR COLOUR



White



Black

## PRODUCT CODING EXAMPLE - M374315J550

Series	Beam	Reflector Colour	Source Lumens	LED	CCT	Driver Protocol	Emergency Protocol
M37 White Casing	1 19°	1 Specular	15 1500 lm	J Cree	2 2700K	0 Fixed	0 None
M38 Black Casing	2 25°	1 Silver				1 I-10V	
	3 38°	2 Satin Silver	5 DALI			E Emergency	
	4 52°	3 Black	7 Lead / Trail			N Non-maintained	
	6 82°	4 White	9 Addressible				
<b>M36</b>	<b>4</b>	<b>3</b>	<b>23</b>	<b>J</b>	<b>5</b>	<b>5</b>	<b>0</b>

- CRI 98 CREE Lighting engine is available on request
- Tolerance range for optical and electrical data shown in this datasheet: ±5%