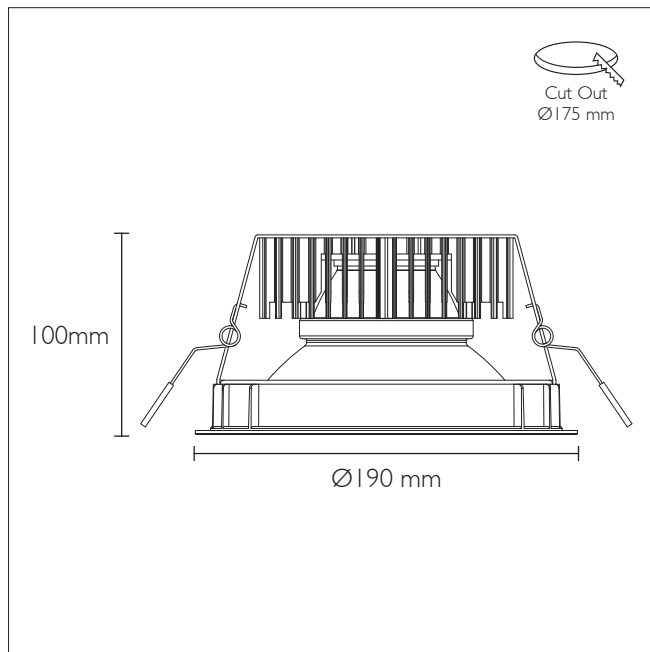
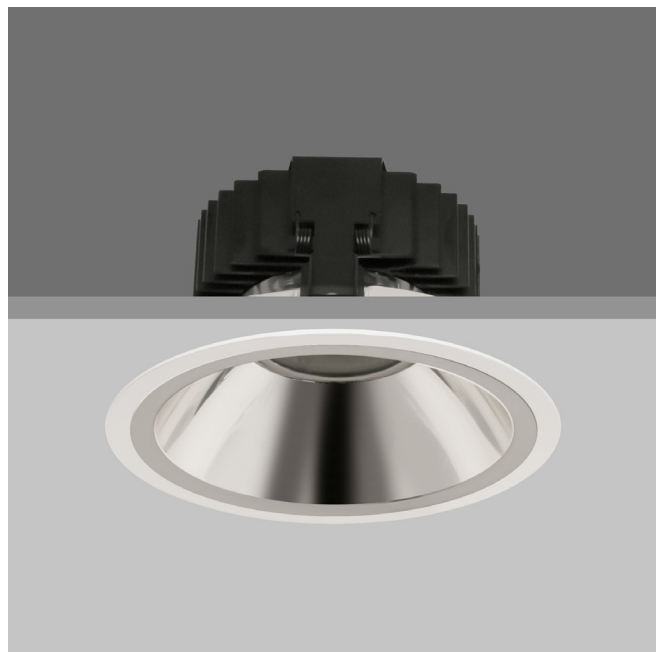


TEMPO 190

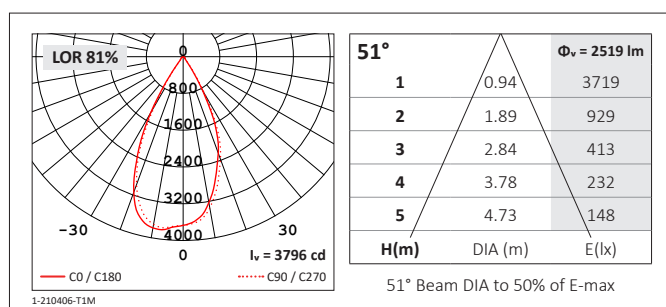
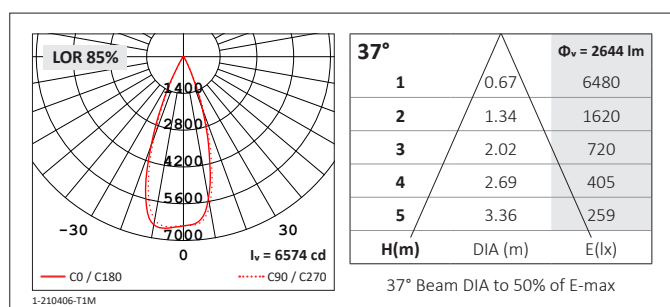
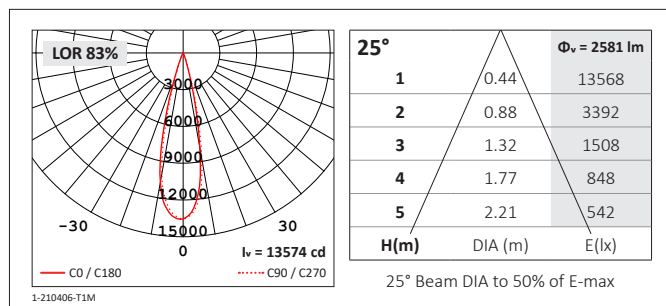
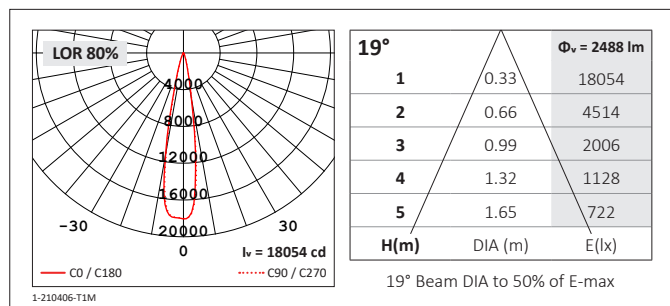


STANDARD MODULE - 19° / 25° / 37° / 51° / 70° Beam

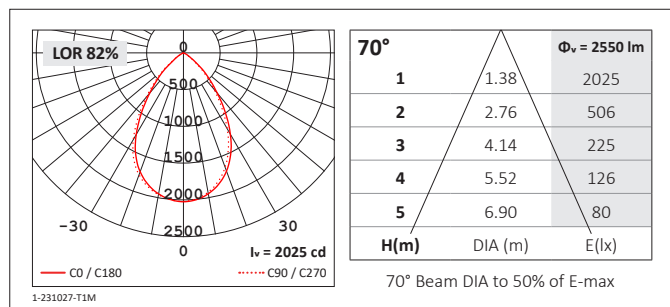
CREE Lighting Engine - CRI 90, 2-Step MacAdam
2700K / 3000K / 4000K

Source Lumens	System Wattage	Delivered Lumens	Efficacy (LOR 80%)	Delivered Lumens	Efficacy (LOR 83%)	Delivered Lumens	Efficacy (LOR 85%)	Delivered Lumen	Efficacy (LOR 81%)	Delivered Lumens	Efficacy (LOR 82%)
		19°		25°		37°		51°		70°	
3110 lm	22.6 W	2488 lm	109 lm/W	2581 lm	113 lm/W	2644 lm	116 lm/W	2519 lm	111 lm/W	2550 lm	112 lm/W
4060 lm	30.7 W	3248 lm	105 lm/W	3370 lm	109 lm/W	3451 lm	112 lm/W	3289 lm	107 lm/W	3329 lm	108 lm/W
4980 lm	39.1 W	3984 lm	101 lm/W	4133 lm	105 lm/W	4233 lm	108 lm/W	4034 lm	103 lm/W	4084 lm	104 lm/W

Tested with CREE 3000K (System: 22.6 W / 600 mA)



Tested with CREE 3000K (System: 22.6 W / 600 mA)



REFLECTOR COLOUR



Specular Silver



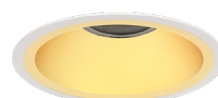
Satin Silver



Black



White



Gold

PRODUCT CODING EXAMPLE - G537149J350

Series	Beam	Reflector Colour	Source Lumens	LED	CCT	Driver Protocol	Emergency Protocol
G53 IP20 G54 IP44	2 19°	1 Specular Silver	31 3110 lm 40 4060 lm 49 4980 lm	J Cree	2 2700K 3 3000K 5 4000K	0 Fixed 1 1-10V 5 DALI 7 Lead / Trail 9 Addressible	0 None E Emergency N Non-maintained
	3 25°	2 Satin Silver					
	4 37°	3 Black					
	5 51°	4 White					
	7 70°	5 Gold					
G53	7	1	49	J	3	5	0

- CRI 98 CREE Lighting engine is available on request
- Tunable white is available on request
- Other output are available. Please contact us for further information
- Tolerance range for optical and electrical data shown in this datasheet: ±5%