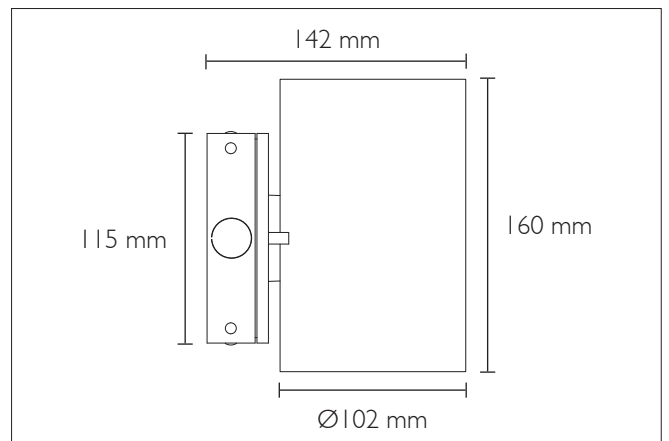
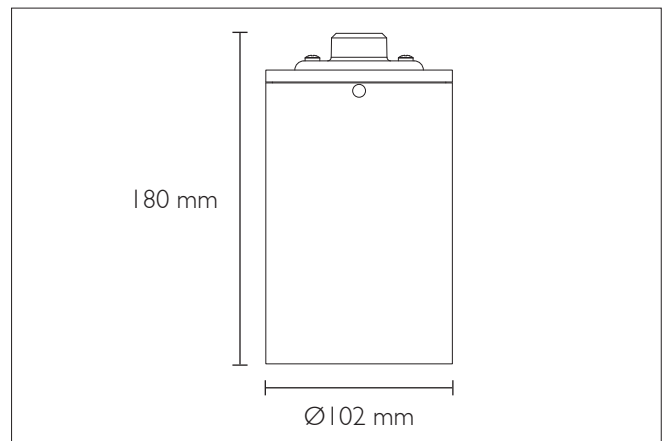
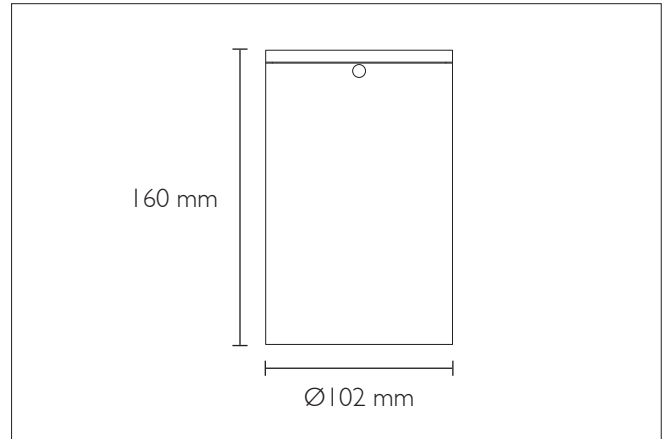
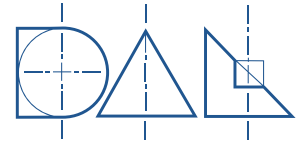


CIVIC 102 FIXED



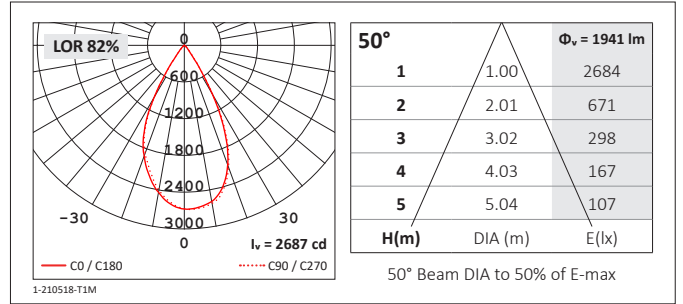
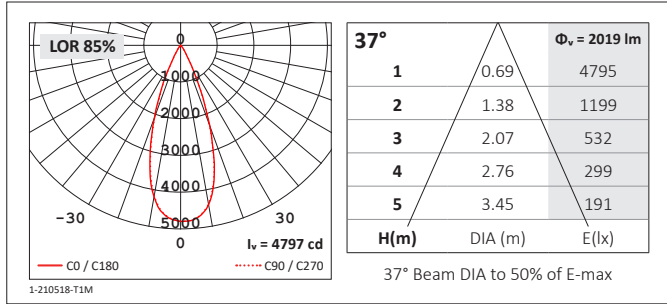
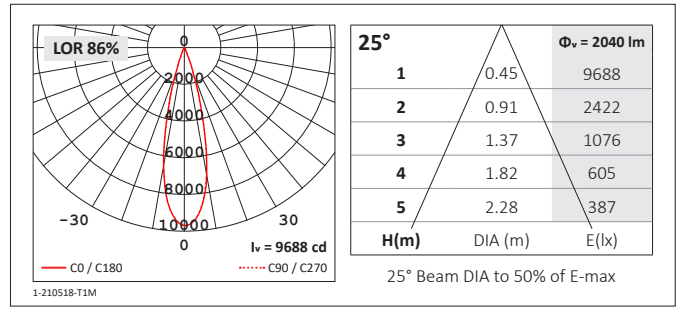
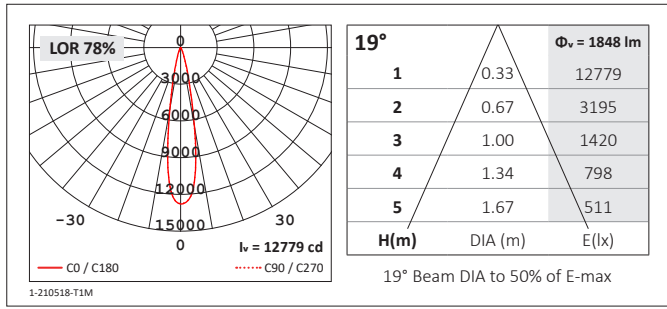
STANDARD MODULE - 19° / 25° / 37° / 50° Beam

CREE Lighting Engine - CRI 90, 2-Step MacAdam

2700K / 3000K / 4000K

Source Lumens	System Wattage	Delivered Lumens	Efficacy (LOR 78%)	Delivered Lumens	Efficacy (LOR 86%)	Delivered Lumens	Efficacy (LOR 85%)	Delivered Lumen	Efficacy (LOR 82%)
		19°		25°		37°		50°	
1500 lm	11.4 W	1165 lm	102 lm/W	1286 lm	112 lm/W	1272 lm	111 lm/W	1223 lm	107 lm/W
1950 lm	15.5 W	1514 lm	97 lm/W	1672 lm	107 lm/W	1654 lm	106 lm/W	1591 lm	102 lm/W
2380 lm	19.7 W	1848 lm	93 lm/W	2040 lm	103 lm/W	2019 lm	102 lm/W	1941 lm	98 lm/W

Tested with CREE 3000K (System: 19.7 W / 500 mA)



BODY / REFLECTOR COLOUR



White



Black

PRODUCT CODING EXAMPLE - C4FS33|5J550N320

Series	Type	Mounting	Beam	Reflector Colour	Source Lumens	LED	CCT	Driver Protocol	Emergency Protocol	Driver Location	Casing Colour	IP	Accessories
C4	F Fixed	S Surface	1 19°	1 Specular	15 1500 lm	J Cree	2 2700K	0 Fixed	0 None	N Integral	3 Black	2 IP20	0 None
Civic 102	A Adjustable	P Rod	2 25°	Silver	19 1950 lm	Ra90	3 3000K	1 I-10V	E Emergency	R Remote	4 White	4 IP44	1 Honeycomb
	S Single	Pendant	3 37°	2 Satin	23 2380 lm		5 4000K	5 DALI	N Non-maintained			5 IP54	2 Elliptical Film
	Wallwash	W Wire	5 50°	Silver				7 Lead / Trail				6 IP65	3 Frosted Glass
		Suspended		3 Black				9 Addressable					
		M Wall Mount		4 White									
				5 Gold									
				8 Spectro									
				Silver									
C4	F	S	3	3	15	J	5	5	0	N	3	2	0

- CRI 98 CREE Lighting engine is available on request
- Tolerance range for optical and electrical data shown in this datasheet: ±5%