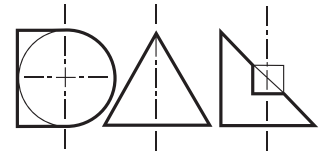


# CIVIC 210 Lens Wallwash - 225mm Height



CIVIC 210 lens wallwash downlighter comes with surface mount / rod mount and suspend wire install options. CIVIC 210 lens wallwash finished in white, silver and black casing as standard, available for 225mm and 305mm body height. The high-quality precision light controller gives visual comfort. The CIVIC 210 is easy to install and incorporates the latest, high efficiency LED technology. Colour consistency through life is ensured by state-of-the-art components and passive cooling aluminium heat sinks.

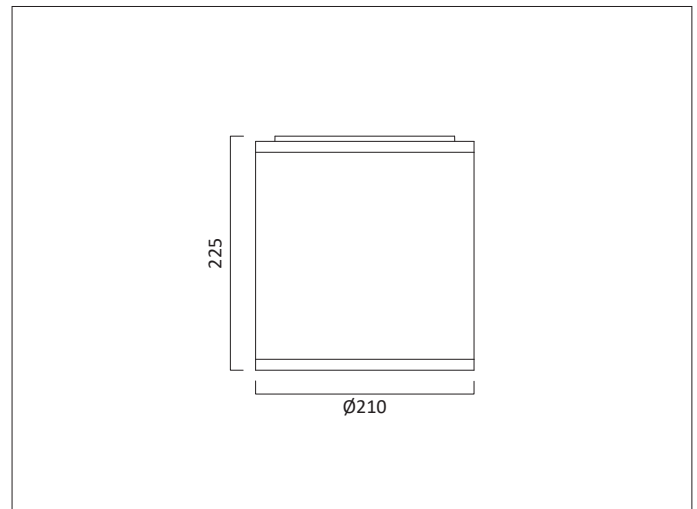
Standard colour temperatures: 2700K, 3000K, 4000K, colour rendering Ra >90 2 step Macadam. Life 50000 hours. A choice of drivers provide fixed supply or dimming to project requirements.

IP44 durable, high specification diecast construction, colour powder coat finish provides longevity.

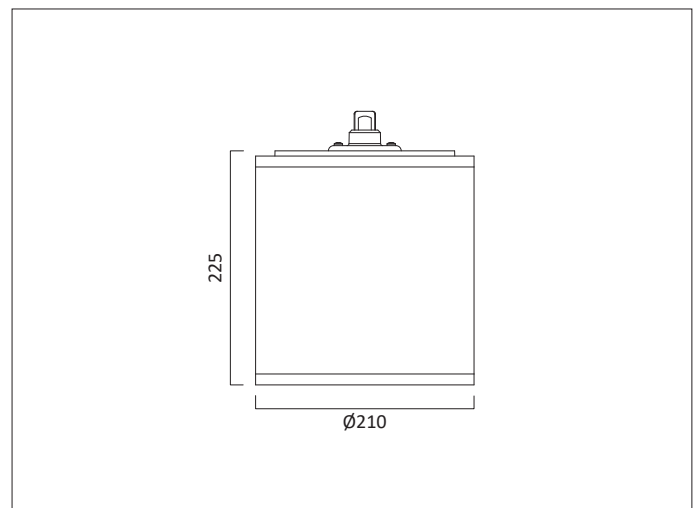
Built to conform to the requirements of BS EN 60598-1 and IEC 598. Photometrically tested to LM-79 confirms CIVIC 210 high performance.



SURFACE MOUNT - 225mm Height



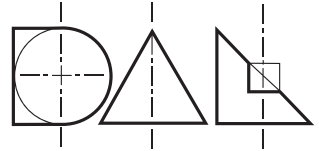
PENDANT MOUNT (SUSPEND WIRE / ROD)



## PRODUCT CODING EXAMPLE: C8SS0123J550N320

Series	Mounting	Distribution	Reflector Colour	Initial Lumen	LED	Colour Temp	Driver Protocol	Emergency Protocol	Driver Location	Casing Colour	IP	Accessories
C8S	S Surface P Rod Pendant W Wire Suspend M Wall Mount	0 Wallwash	1 Specular Silver 3 Black 4 White	23 2300 lm 30 3000 lm 37 3700 lm	J CREE Ra90	2 2700K 3 3000K 5 4000K	0 Fixed 1 1-10V 5 DALI 7 Lead / Trail 9 Addressable	0 None E Emergency N Non-maintained	N Integral R Remote	3 Black 4 White 9 Grey	2 IP20	0 None
<b>C8S</b>	<b>S</b>	<b>0</b>	<b>1</b>	<b>23</b>	<b>J</b>	<b>5</b>	<b>5</b>	<b>0</b>	<b>N</b>	<b>3</b>	<b>2</b>	<b>0</b>

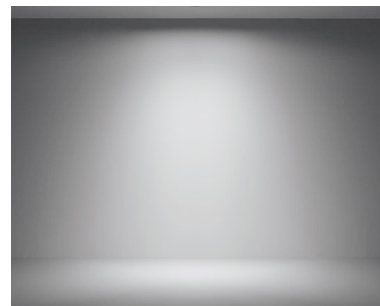
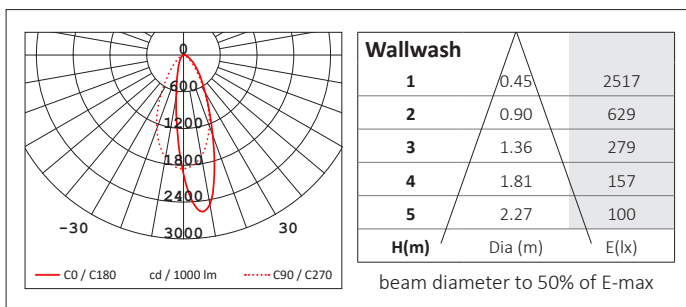
# CREE Light Engine - For Lens Wallwash



CCT	Lumen Source Output	CRI	Forward Voltage	Pd (W)	Current
2700K	2100 lm	90	35.0 V	17.5 W	500 mA
	2800 lm	90	36.2 V	25.4 W	700 mA
	3500 lm	90	37.4 V	33.7 W	900 mA
3000K	2300 lm	90	35.0 V	17.5 W	500 mA
	3000 lm	90	36.2 V	25.4 W	700 mA
	3700 lm	90	37.4 V	33.7 W	900 mA
4000K	2500 lm	90	35.0 V	17.5 W	500 mA
	3300 lm	90	36.2 V	25.4 W	700 mA
	4000 lm	90	37.4 V	33.7 W	900 mA

## PHOTOMETRIC DATA - Tested with 3000K CREE LED (CRI 90, 2-step Macadam)

Beam Angle	Delivered Lumens	LOR	Luminous Intensity	Forward Voltage	LED W	Current
Wallwash	1533 lm	48%	2574 cd	37.4 V	37 W	900 mA



**Downlight Position:**  
Surface mounted on ceiling,  
1m from wall, 3m from floor

- Simulation for reference only.
- Tolerance range for optical and electrical data:  $\pm 10\%$ .